



豪力輝工業股份有限公司  
HOLD WELL INDUSTRIAL CO., LTD.



Driven & Static  
Driven & Static  
Tool Holder



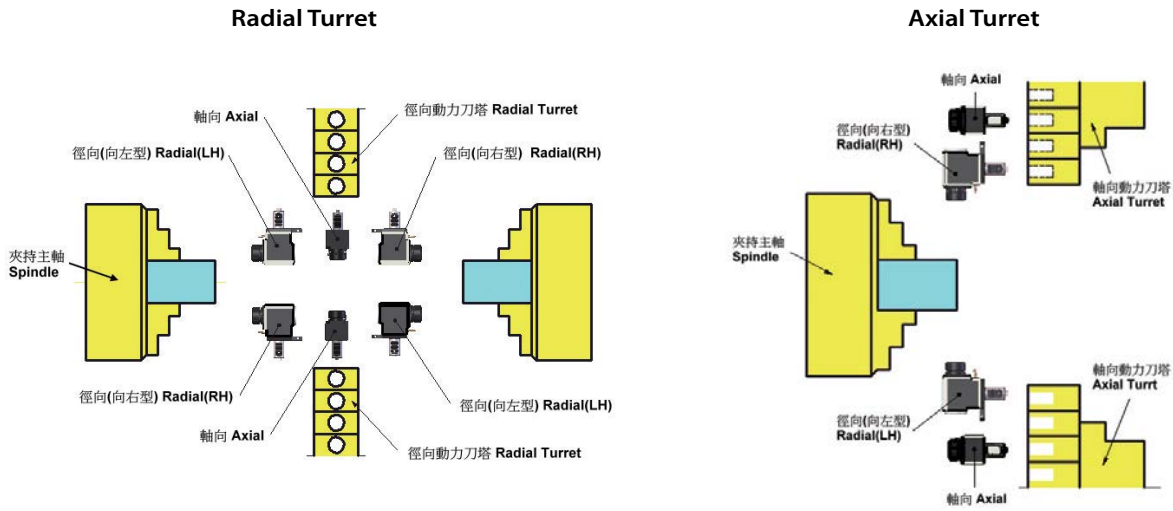
ISO 9001:2015  
ID 9105040234

VDI 車銑複合機刀座  
Driven & Static Tool Holder

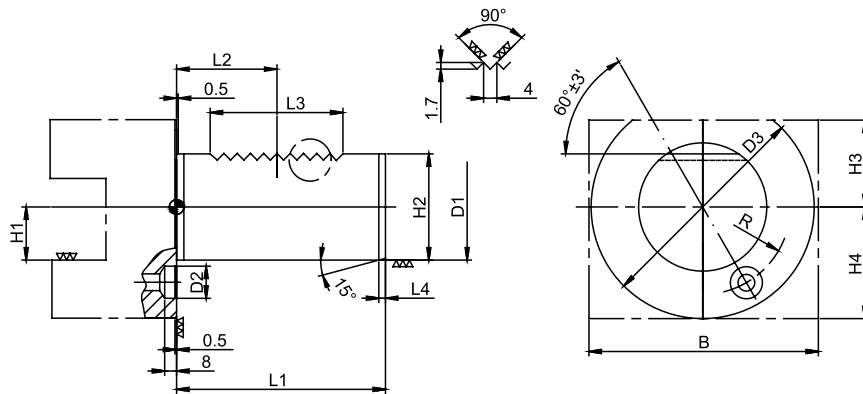
# Driven & Static Tool Holder



## 1. Application 刀塔與刀座應用



## 2. Driven Tool Holder is produced in accordance with DIN69880 接合面依據 DIN69880



Unit : mm

D1 h6	D2	D3	H1 max	H2 ±0.05	H3 min	R ±0.02	L1 max	L2 ±0.05	L3 max	L4 max
20	10	50	16	18	25	18	40	21.7	24	2
25	10	58	16	23.5	25	21	48	21.7	24	2
30	14	68	20	27	28	25	55	29.7	40	2
40	14	83	25	36	32.5	32	63	29.7	40	3
50	16	98	32	45	35	37	78	35.7	48	3
60	16	123	32	55	42.5	48	94	43.7	56	4

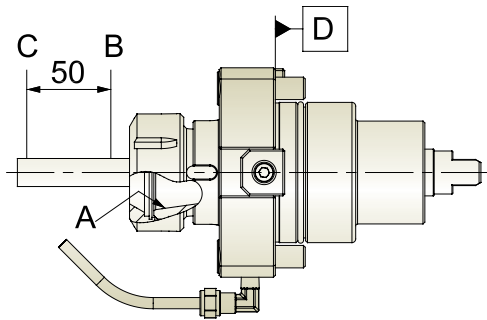
# Driven & Static Tool Holder



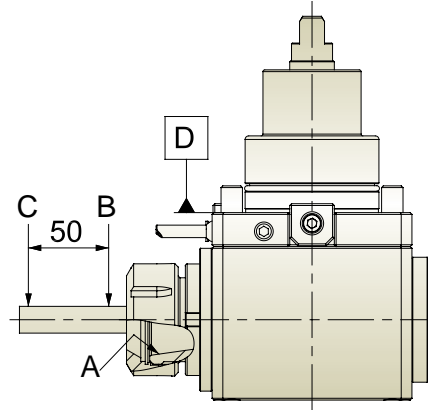
## 3. Accuracy 精度

- Cavity at Bore (A) : 0.003mm
- Test Bar at Face (B) : 0.01mm
- Test Bar at 50 mm (C) : 0.02mm
- Test Bar 50 mm for D's Parallelism: 0.01mm
- 內孔A處之偏擺度: 0.003mm
- 測試棒B處之偏擺度: 0.01mm
- 測試棒C處之偏擺度: 0.02mm
- 測試棒50mm對D面之平行度: 0.01mm

### Axial Tool Holder 軸向刀座



### Radial Tool Holder 徑向刀座



## 4. Instruction Manual for VDI Driven Tool Holder (Internal Coolant)

### 動力刀座使用說明 (中心出水型)

#### ※ Cautions 注意事項 :

- Driven Tool Holders with internal coolant through the spindle should never run without coolant. The coolant should flow through the tool before running. Running in dry condition damages the internal seals and cause overheatment.
- The coolant should flow under 5 micron filter device.
- Max. permissible RPM should not run over 5 minutes.
- Never supply the coolant above max. permissible water pressure
- Please use the through-coolant toolings, coolant collet or coolant nut.
- Please switch off the external coolant system if only internal coolant function is need.
- Any hit with hammers and similar items on the surface is seriously forbidden.
- 運轉前需先供水，不可在沒有開啓冷卻液的情況下使用。
- 冷卻液需有5 micron以下的過濾裝置。
- 使用最大轉速時間需小於5分鐘。
- 不可超過刀座最大容許水壓。
- 使用刀具為有中心出水刀具，且需搭配止水筒夾及止水螺帽使用。
- 只需要中心出水時可將外部噴水關閉。
- 禁用鐵鎚等工件物敲擊外部。

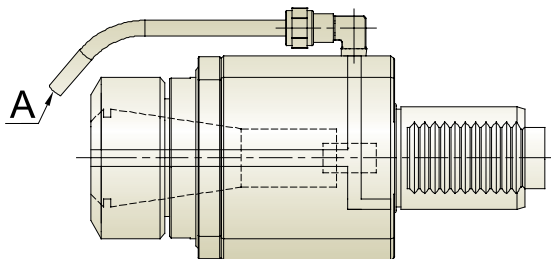


Fig.1

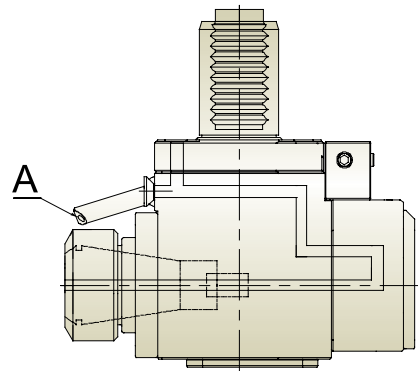


Fig.2

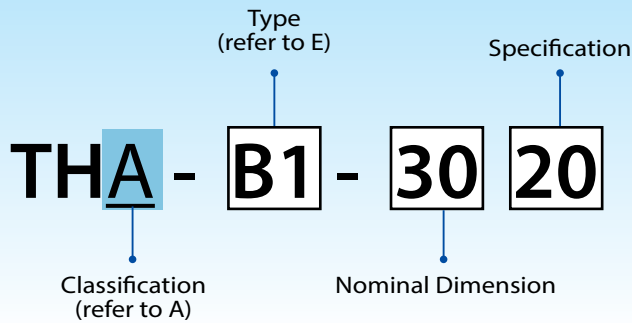
#### ※ Recommendations 建議事項 :

- In initial Start-up, please run the holder properly without any toolings for one hour to reduce the internal friction. Max. RPM in the first operation hour should not exceed 70 % of the Max. permissible RPM.
- 首次使用可以最大轉速的70% 無負載旋轉1小時，已達到磨合效果。

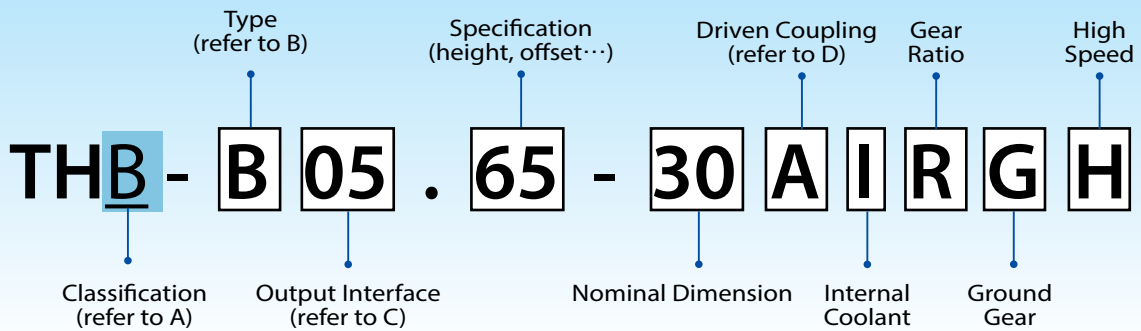


## 5. Code Standard 編碼原則

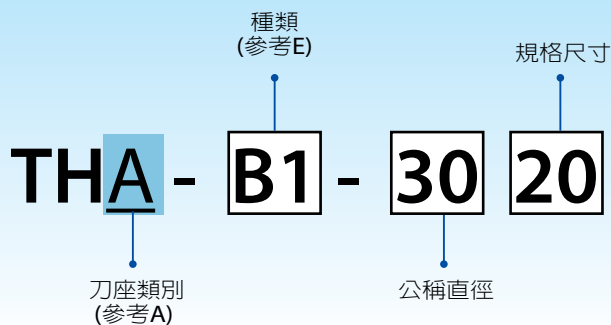
### ※ VDI Static Tool Holder



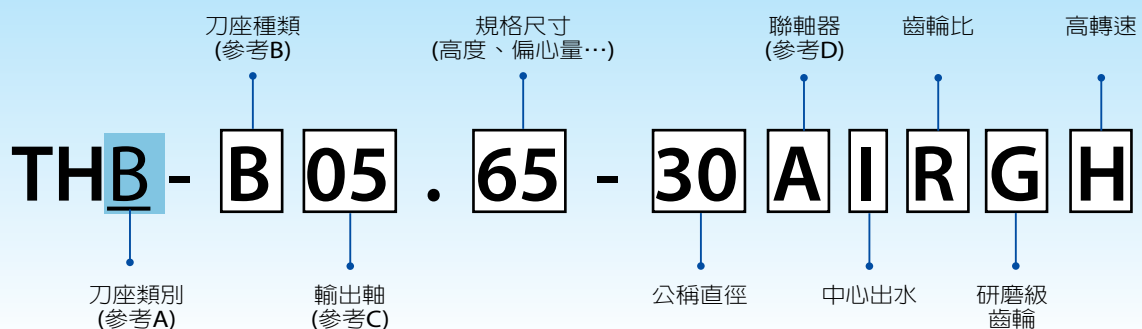
### ※ VDI Driven Tool Holder



### ※ VDI 固定刀座



### ※ VDI 動力刀座





## A. Classification of Tool

A	VDI Static Tool Holder	B	VDI Driven Tool Holder
---	------------------------	---	------------------------

## B. Type of Driven Tool Holder

A	Axial Tool Holder	D	Radial Offset Tool Holder	J	Side Mill
B	Radial Tool Holder	E	B Axial Swivel Tool Holder	R	Axial Swivel Gear Hobber Tool Holder
C	Axial Offset Tool Holder	H	Radial Double Head Tool Holder	T	Radial Swivel Gear Hobber Tool Holder

## C. Output Interface

01	ER11	11	Female Thread ER25	26	Face Milling FMB32
02	ER16	12	Female Thread ER32	29	Side Cutter SCA27
03	ER20	13	Female Thread ER40	30	Side Cutter SCA32
04	ER25	14	Female Thread ER50	36	HSK25
05	ER32	15	ER Tapping TER20	37	HSK32
06	ER40	16	ER Tapping TER32	38	HSK40
07	ER50	22	Face Milling FMA25.4	39	HSK50
08	Female Thread ER11	23	Face Milling FMA31.75	40	HSK63
09	Female Thread ER16	24	Face Milling FMB22		
10	Female Thread ER20	25	Face Milling FMB27		

## D. VDI Driven Coupling

A	DIN 1809	D	MT ( Baruffaldi )	G	HAAS 130
B/S	DIN 5480	E	HAAS 104	H	HYUNDAI KIA
C	DIN 5482	F	HAAS 117	J / K	OKUMA VDI

## E. VDI Static Tool Holder

B1	Radial Tool Holder right hand, short	C4	Axial Tool Holder Overhead left hand, short	E1	Tool Holder for U Drill
B2	Radial Tool Holder left hand, short	BC1	Radial-Axial Tool Holder right hand	E2	Side Lock Tool Holder
B3	Radial Tool Holder Overhead right hand, short	BC2	Radial-Axial Tool Holder left hand	E4	ER Collet Chuck Tool Holder
B4	Radial Tool Holder Overhead left hand, short	BC3	Radial-Axial Tool Holder Overhead right hand	F1	Morse Taper Tool Holder
B6	Radial Tool Holder left hand, long	BC4	Radial-Axial Tool Holder Overhead left hand	G1	Quick Locking Drill Chuck
B8	Radial Tool Holder Overhead left hand, long	D1	Multiple Tool Holder	T1	Radial Boring Bar Tool Holder
C1	Axial Tool Holder right hand, short	D2	Multiple Tool Holder	TA	Test Arbor
C2	Axial Tool Holder left hand, short	H2	Cut-off Tool Holder	Z2	Plug
C3	Axial Tool Holder Overhead right hand, short	H4	Cut-off Tool Holder		



## A. 刀座類別分類表

A	VDI 無動力	B	VDI 動力
---	---------	---	--------

## B. 刀座種類分類表

A	軸向動力刀座	D	徑向後縮動力刀座	J	側銑刀動力刀座
B	徑向動力刀座	E	B 軸擺動動力刀座	R	軸向擺動滾齒動力刀座
C	軸向偏心動力刀座	H	徑向雙頭動力刀座	T	徑向擺動滾齒動力刀座

## C. 輸出軸分類表

01	ER11	11	內牙 ER25	26	FMB32 面銑刀
02	ER16	12	內牙 ER32	29	SCA27 側銑刀
03	ER20	13	內牙 ER40	30	SCA32 側銑刀
04	ER25	14	內牙 ER50	36	HSK25
05	ER32	15	TER20 ER 彈性攻牙	37	HSK32
06	ER40	16	TER32 ER 彈性攻牙	38	HSK40
07	ER50	22	FMA25.4 面銑刀	39	HSK50
08	內牙 ER11	23	FMA31.75 面銑刀	40	HSK63
09	內牙 ER16	24	FMB22 面銑刀		
10	內牙 ER20	25	FMB27 面銑刀		

## D. VDI 聯軸器種類表

A	DIN 1809	D	MT (Baruffaldi)	G	HAAS 130
B/S	DIN 5480	E	HAAS 104	H	HYUNDAI KIA
C	DIN 5482	F	HAAS 117	J / K	OKUMA VDI

## E. VDI 固定刀座分類表

B1	徑向外徑右手型刀座	C4	軸向外徑左手型刀座	E1	軸向內徑 U Drill 刀座
B2	徑向外徑左手型刀座	BC1	徑軸向外徑右手型刀座	E2	軸向內孔側固式刀座
B3	徑向外徑右手型刀座	BC2	徑軸向外徑左手型刀座	E4	軸向內孔 ER 筒夾式刀座
B4	徑向外徑左手型刀座	BC3	徑軸向外徑右手型刀座	F1	內孔莫式刀座
B6	徑向外徑左手型刀座	BC4	徑軸向外徑左手型刀座	G1	鑽孔夾頭刀座
B8	徑向外徑左手型刀座	D1	萬向外徑刀座	T1	徑向側固式內孔刀座
C1	軸向外徑右手型刀座	D2	萬向外徑刀座	TA	測試棒
C2	軸向外徑左手型刀座	H2	切斷刀座	Z2	防塵蓋
C3	軸向外徑右手型刀座	H4	切斷刀座		

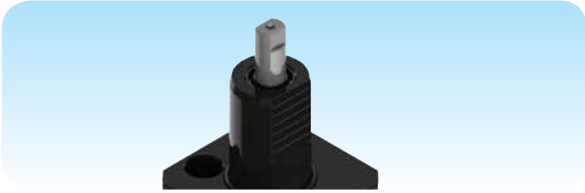


## CONTENTS 目錄

**DIN 1809 9**



**HYUNDAI KIA 17**



**DIN 5480 21**



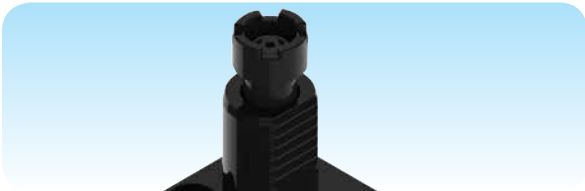
**DIN 5482 31**



**SPUR MT TOEM 37**



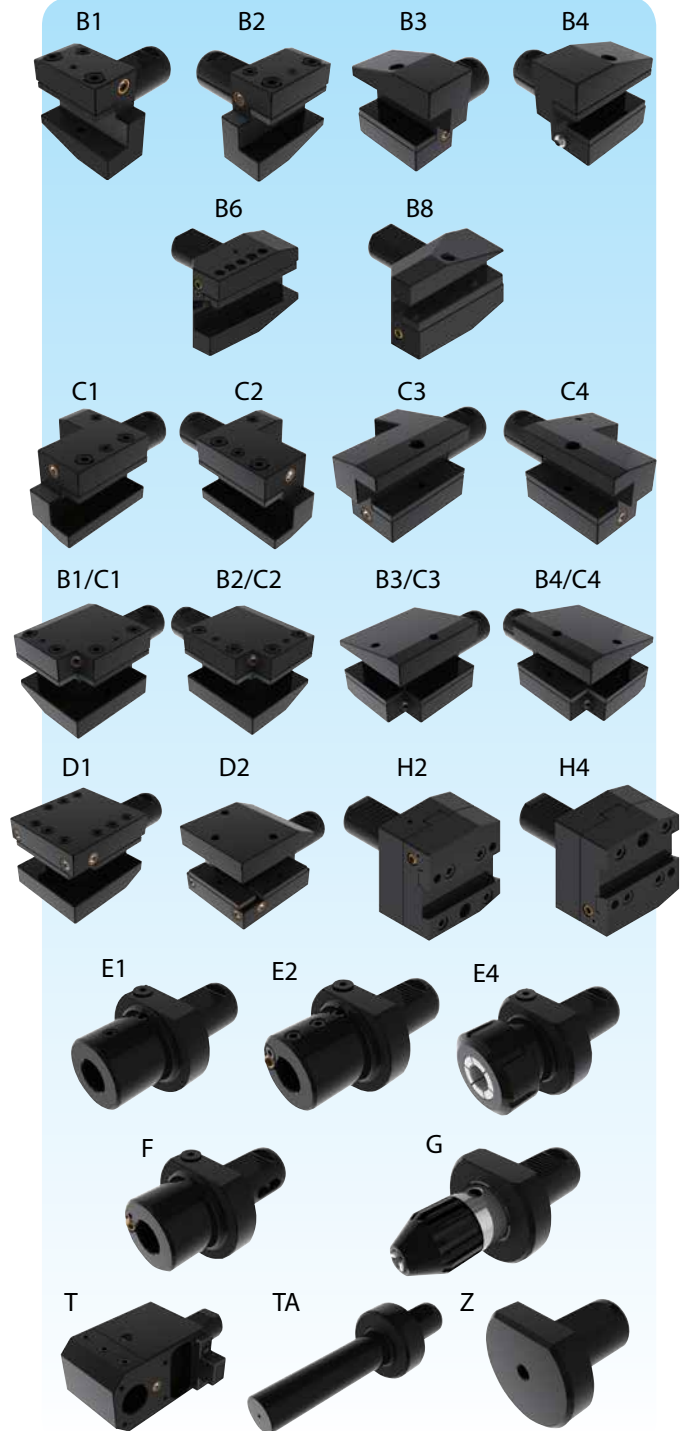
**OKUMA 47**



**HAAS 55**

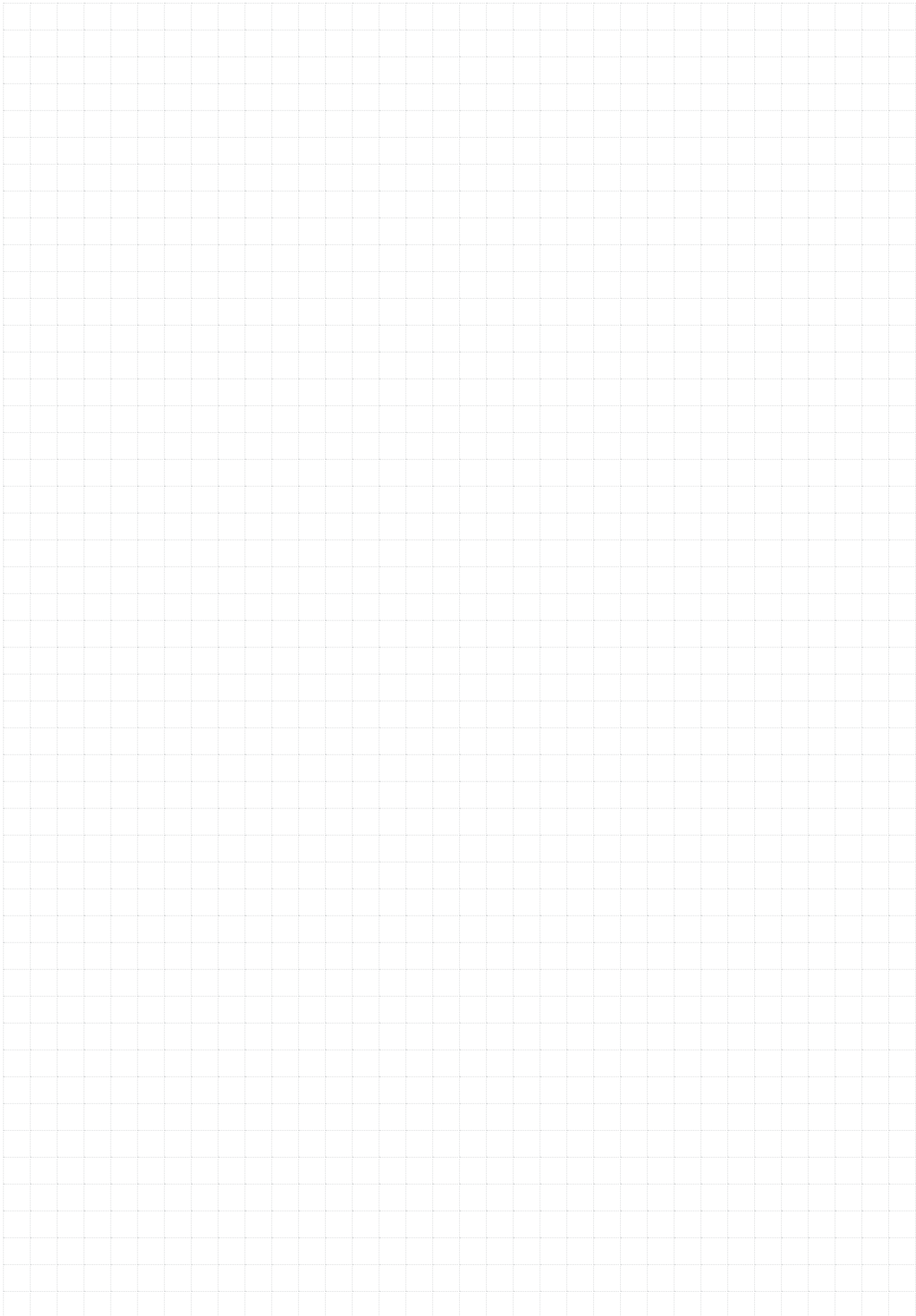


**VDI Static VDI 固定刀座 63**



**ADAPTOR SLEEVE 刀套 75**

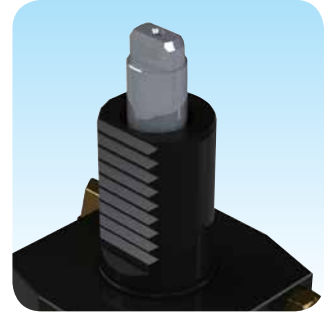
**OPTIONAL ACCESSORY 80**



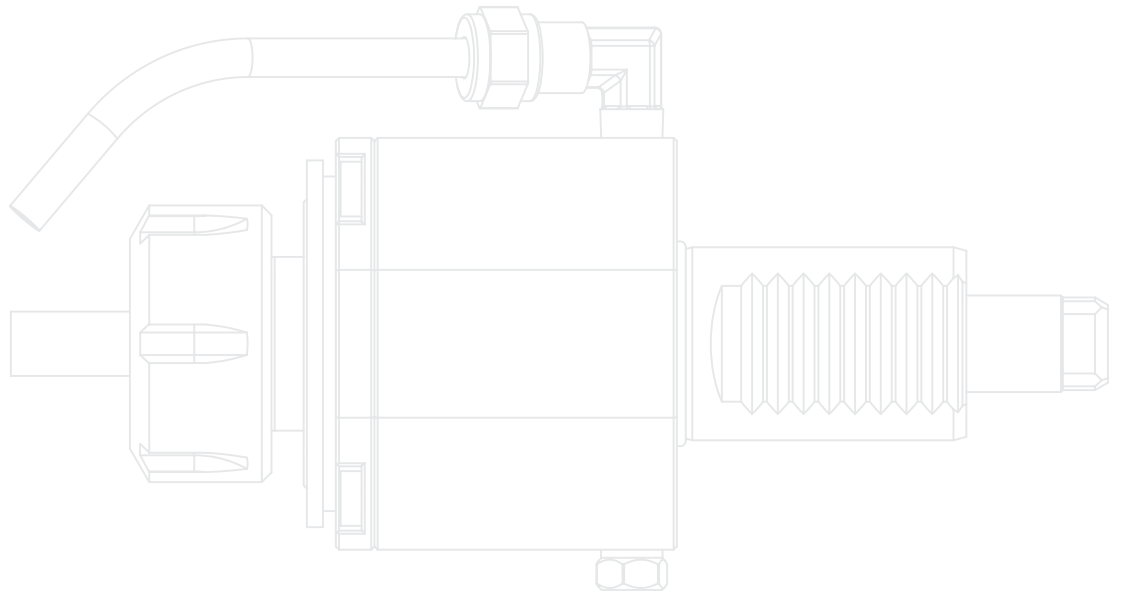


# VDI

車銑複合機刀座  
Driven & Static Tool Holder



## DIN1809



# Driven & Static Tool Holder

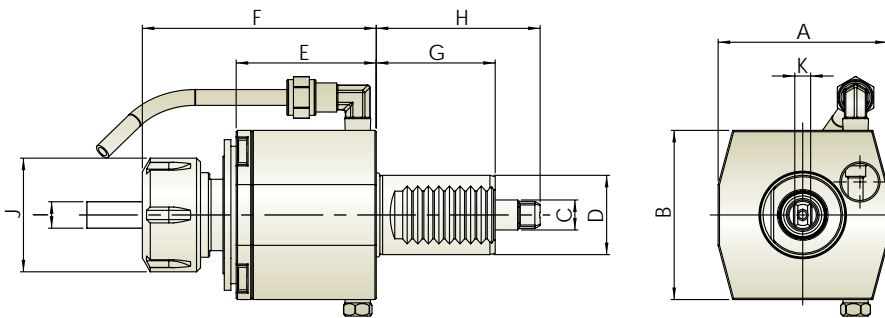


## Axial Tool Holder 軸向動力刀座

External Coolant  
外部出水

R.P.M. Max. 轉速最高 **6,000 RPM**
 Rotation 轉向 IN OUT

- Tool Holder is produced in accordance with DIN 69880.
- Driven Coupling is according to DIN 1809.
- ER Collet is according to DIN 6499.
- For left hand and right hand turret.
- 接合面依據DIN 69880
- 傳動軸為DIN 1809
- 輸出軸筒夾為DIN 6499
- 同時適用於左手型刀塔及右手型刀塔



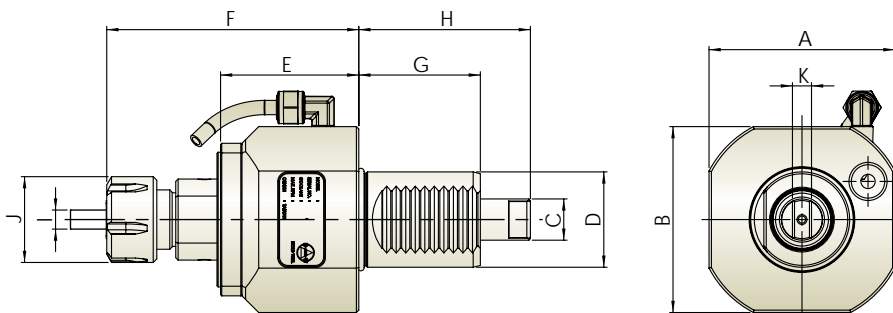
Unit : mm

Model No.	A	B	C	D	E	F max	G	H	I	J	K	N.W.(KG)
THB-A04-30A	64	64	11	30	53	88.5	45	62	ER25 (2~16)	43	6	2.0
THB-A05-30A	64	64	11	30	53	91	45	62	ER32 (3~20)	50	6	2.0
THB-A05-40A	76	76	17	40	55	93	51	72	ER32 (3~20)	50	8	2.8
THB-A06-40A	76	76	17	40	74	123	51	72	ER40 (4~26)	63	8	3.9
THB-A06-50A	86	86	25	50	81	129.5	68	92	ER40 (4~26)	63	13	5.5
THB-A07-60A	104	104	28	60	110.5	155	78	110	ER50 (12~34)	78	14	9.8

## Axial ER Tapping Tool Holder 軸向 ER 彈性攻牙動力刀座

External Coolant  
外部出水

R.P.M. Max. 轉速最高 **3,000 RPM**
 Rotation 轉向 IN OUT



Unit : mm

Model No.	A	B	C	D	E	F	G	H	I	J	K	N.W.(KG)
THB-A15-40A	78	78	17	40	58	106	51	72	M3~M12	36	8	3

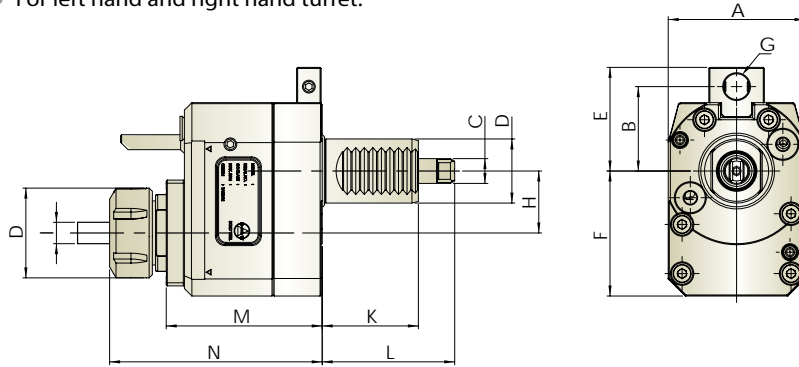


## Axial Offset Tool Holder 軸向偏心動力刀座

External Coolant  
外部出水

Gear Ratio 齒輪比 1:1
 R.P.M. Max. 轉速最高 5,000 RPM
 Rotation 轉向
 IN OUT

- Tool Holder is produced in accordance with DIN 69880.
- Driven Coupling is according to DIN 1809.
- ER Collet is according to DIN 6499.
- For left hand and right hand turret.
- 接合面依據DIN 69880
- 傳動軸為DIN 1809
- 輸出軸筒夾為DIN 6499
- 同時適用於左手型刀塔及右手型刀塔



Unit : mm

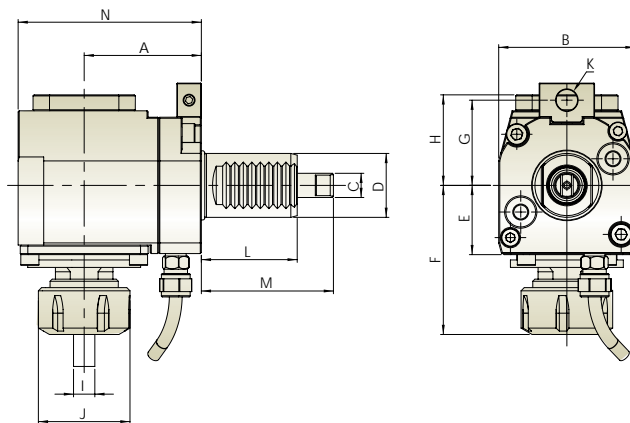
Model NO.	A	B	C	D	E	F	G	H	I	J	K	L	M	N max	N.W.(KG)
THB-C04.29-30A	64	40	11	30	48.5	58.5	12	29	ER25(2~16)	42	45	62	73	101.5	3
THB-C04.50-40A	74	70	17	40	82	83	16	50	ER25(2~16)	43	51	72	81.5	120.5	5.6
THB-C05.50-40A	74	70	17	40	82	83	16	50	ER32(3~20)	50	51	72	81.5	121.5	5.7

## Radial Tool Holder 徑向動力刀座

External Coolant  
外部出水

Gear Ratio 齒輪比 1:1
 R.P.M. Max. 轉速最高 4,000 RPM
 Rotation 轉向
 IN OUT

- Tool Holder is produced in accordance with DIN 69880.
- Driven Coupling is according to DIN 1809.
- ER Collet is according to DIN 6499.
- For left hand and right hand turret.
- 接合面依據DIN 69880
- 傳動軸為DIN 1809
- 輸出軸筒夾為DIN 6499
- 同時適用於左手型刀塔及右手型刀塔



Unit : mm

Model NO.	A	B	C	D	E	F max	G	H	I	J	K	L	M	N	N.W.(KG)
THB-B04.55-30A	55	64	11	30	32.5	69	40	42.5	ER25(2~16)	43	10	45	62	86	3
THB-B05.65-30A	65	64	11	30	47	78.5	40	46.5	ER32(3~20)	50	10	45	62	101	3.5
THB-B04.110-40A	110	46	17	40	49	82	63	48.5	ER25(2~16)	43	15.5	51	72	146	6.9
THB-B05.65-40A	65	76	17	40	46	84	63	48.5	ER32(3~20)	50	15.5	51	72	103	5.1
THB-B06.90-40A	90	80	17	40	56	105	63	62	ER40(4~26)	63	15.5	51	72	129	7.4
THB-B06.145-40A	145	80	17	40	59	103	63	62	ER40(4~26)	63	15.5	51	72	189	9.9
THB-B06.92-50A	92	86	25	50	59	105.5	70	62	ER40(4~26)	63	18	68	92	136	9

※ Further option : 6000 RPM 另有 6000RPM 可供選擇

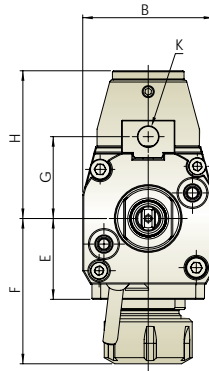
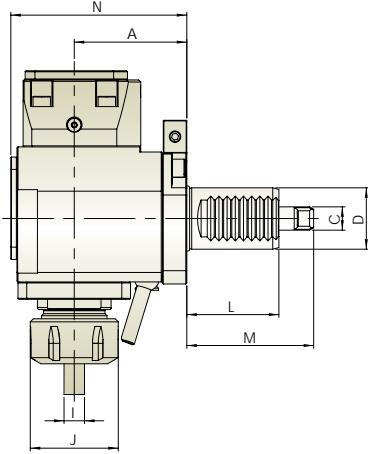
# Driven & Static Tool Holder



## Radial Tool Holder 徑向動力刀座

Internal Coolant  
中心出水

Gear Ratio 齒輪比 1:1
 R.P.M. Max. 轉速最高 4,000 RPM
 Internal Coolant 中心冷卻出水 30 bar
 Rotation 轉向
 IN OUT



Unit : mm

Model No.	A	B	C	D	E	F max	G	H	I	J	K	L	M	N	N.W.(KG)
THB-B04.55-30AI	55	64	11	30	39.5	71	40	72.2	ER25 (2~16)	43	10	45	62	86	3.3
THB-B05.65-30AI	65	64	11	30	47	83	40	80.2	ER32 (3~20)	50	10	45	62	101	4.1
THB-B05.65-40AI	65	76	17	40	46	84.5	63	78.2	ER32 (3~20)	50	15.5	51	72	103	5.6
THB-B06.92-50AI	92	86	25	50	59	105.5	70	90.5	ER40 (4~26)	63	18	68	92	136	9.4

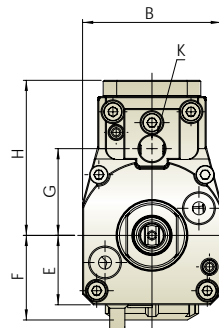
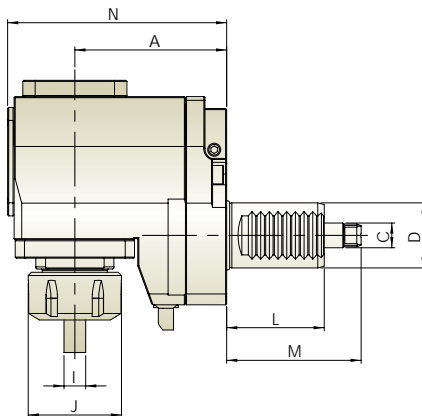
※ Further option : 6000 RPM 另有 6000RPM 可供選擇

## Radial Offset Tool Holder 徑向後縮動力刀座

External Coolant  
外部出水

Gear Ratio 齒輪比 1:1
 R.P.M. Max. 轉速最高 4,000 RPM
 Rotation 轉向
 IN OUT

- Tool Holder is produced in accordance with DIN 69880.
- Driven Coupling is according to DIN 1809.
- ER Collet is according to DIN 6499.
- For left hand and right hand turret.
- 接合面依據DIN 69880
- 傳動軸為DIN 1809
- 輸出軸筒夾為DIN 6499
- 同時適用於左手型刀塔及右手型刀塔



Unit : mm

Model NO.	A	B	C	D	E	F max	G	H	I	J	K	L	M	N	N.W.(KG)
THB-D04.70-30A	70	64	11	30	32	39	40	71.5	ER25(2~16)	43	12	45	62	101	3.4
THB-D05.90-40A	90	80	17	40	38	35	63	98.5	ER32(3~20)	50	15.5	51	72	129.5	7.3
THB-D07.102-60A	102	104	28	60	54	78	89	116	ER50(12~34)	78	16	78	110	151	15

※ Further option : 6000 RPM 另有 6000RPM 可供選擇

# Driven & Static Tool Holder

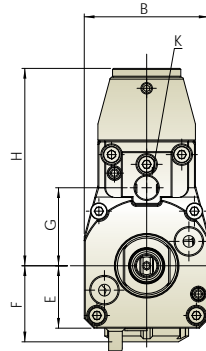
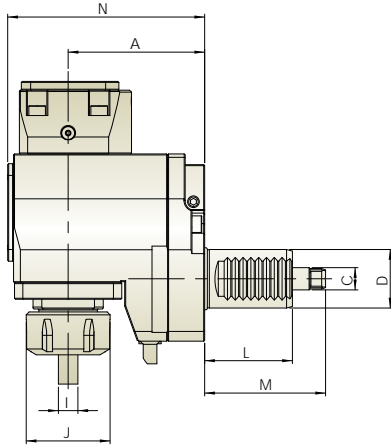


DIN 1809

## Radial Offset Tool Holder 徑向後縮動力刀座

Internal Coolant  
中心出水

Gear Ratio 齒輪比 1:1
 R.P.M. Max. 轉速最高 4,000 RPM
 Internal Coolant 中心冷卻出水 30 bar
 Rotation 轉向
 IN OUT



Unit : mm

Model No.	A	B	C	D	E	F max	G	H	I	J	K	L	M	N	N.W.(KG)
THB-D04.70-30AI	70	64	11	30	32	39	40	101.2	ER25 (2~16)	43	12	45	62	101	3.4
THB-D05.90-40AI	90	80	17	40	38	35	63	128.2	ER32 (3~20)	50	15.5	51	72	129.5	7.3
THB-D07.102-60AI	102	104	28	60	54	75	89	138	ER50 (12~34)	78	16	78	110	151	15.2

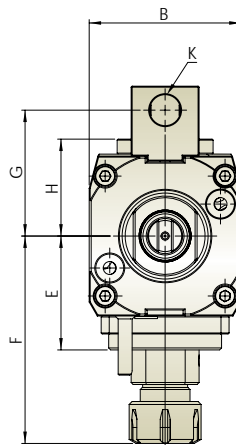
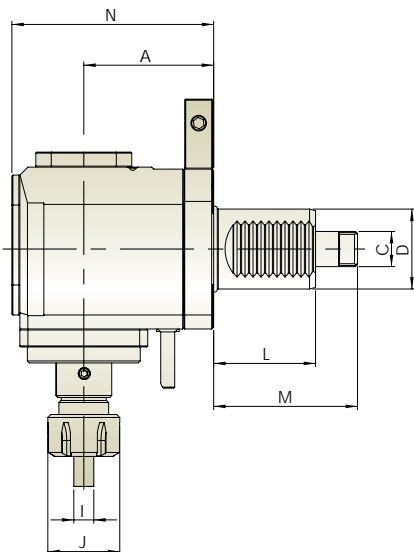
※ Further option : 6000 RPM 另有 6000RPM 可供選擇

## Radial ER Tapping Tool Holder 徑向 ER 彈性攻牙動力刀座

External Coolant  
外部出水

Gear Ratio 齒輪比 1:1
 R.P.M. Max. 轉速最高 3,000 RPM
 Rotation 轉向
 IN OUT

- Tool Holder is produced in accordance with DIN 69880.
- Driven Coupling is according to DIN 1809.
- ER Collet is according to DIN 6499.
- For left hand and right hand turret.
- 接合面依據DIN 69880
- 傳動軸為DIN 1809
- 輸出軸筒夾為DIN 6499
- 同時適用於左手型刀塔及右手型刀塔



Unit : mm

Model No.	A	B	C	D	E	F max	G	H	I	J	K	L	M	N	N.W.(KG)
THB-B15.65-40A	65	76	17	40	57	104	63	48.5	M3~M12	36	15.5	51	72	101	4.9

# Driven & Static Tool Holder

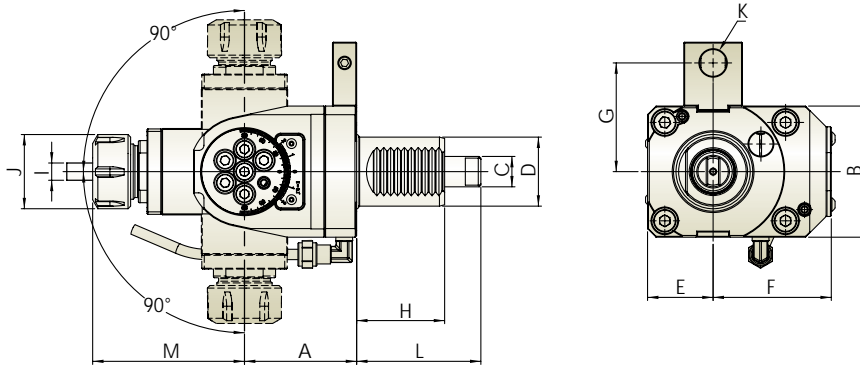


## Angle Adjustable Tool Holder 萬向動力刀座

External Coolant  
外部出水

Gear Ratio 齒輪比 1:1   
 R.P.M. Max. 轉速最高 4,000 RPM   
 Rotation 轉向 IN OUT

- Cutting angle can be set from +90 to -90 degree for various applications. ● 擺動角度 +90度至 -90度



Unit : mm

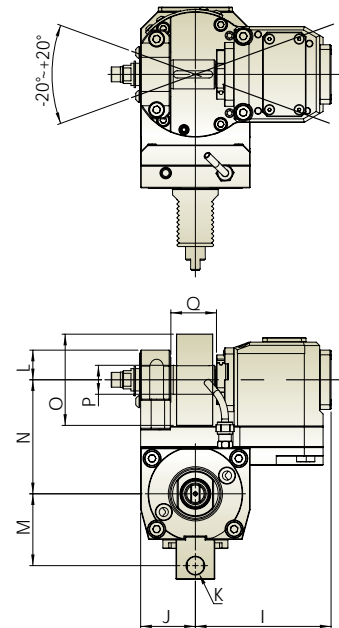
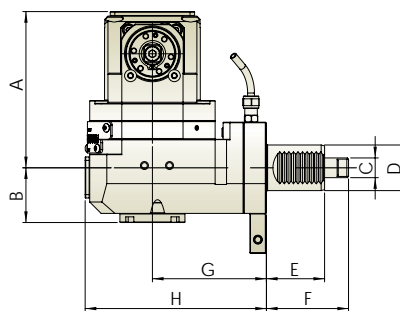
Model NO.	A	B	C	D	E	F	G	H	I	J	K	L	M max	N.W.(KG)
THB-E04.65-40A	65	76	17	40	38	68.5	63	51	ER25(2~16)	43	16	72	88	4.9

## Radial Swivel Gear Hobber Tool Holder 徑向擺動滾齒動力刀座

External Coolant  
外部出水

Gear Ratio 齒輪比 2.76:1   
 R.P.M. Max. 轉速最高 4,000 RPM   
 Rotation 轉向 IN OUT

- Tool Holder is produced in accordance with DIN 69880.
- Driven Coupling is according to DIN 1809.
- For left hand and right hand turret.
- Cutting angle can be set from +20 to -20 degree for various applications.
- Suitable for machining Spur Gear and Bevel Gear.
- 接合面依據DIN 69880
- 傳動軸為DIN 1809
- 同時適用於左手型刀塔及右手型刀塔
- 擺動角度+20至-20度
- 可使用於正/斜齒輪加工







Unit : mm

Model NO.	A	B	C	D	E	F	G	H	I	J	K	L	M	N	O	P	Q	N.W.(KG)
THB-T29.100-40A	137	48	17	40	51	72	100	159	119	48	15.5	26	63	100	80	27	40	13.8
THB-T29.100-50A	137	48	25	50	68	92	100	159	119	48	18	26	70	100	80	27	40	14.7

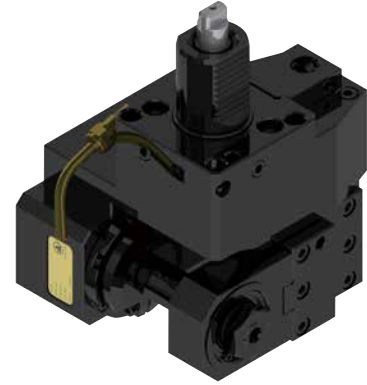
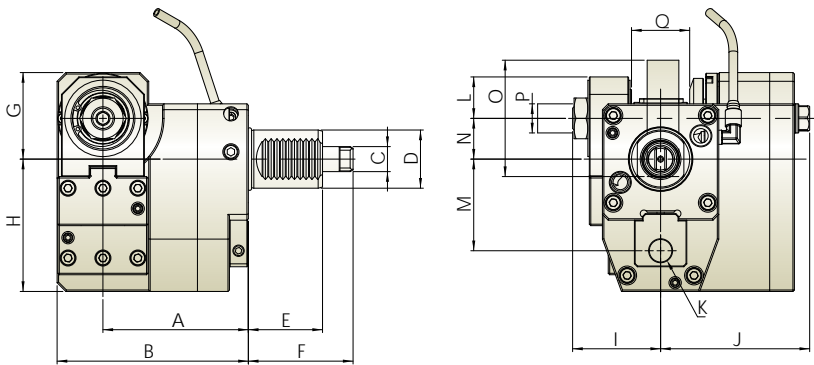


## Radial Side Cutting Tool Holder 徑向內側銑動力刀座

External Coolant  
外部出水

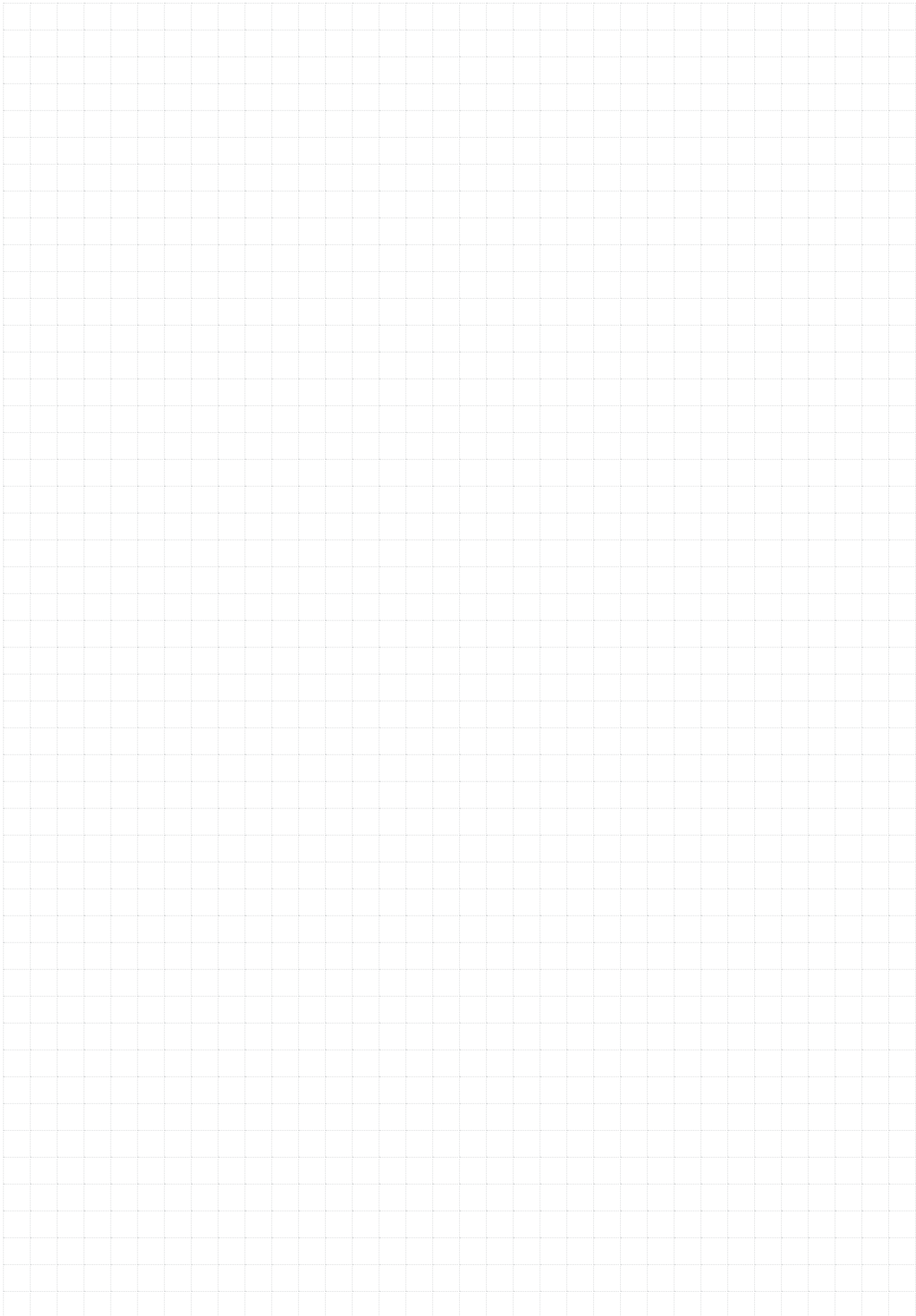
 Gear Ratio 齒輪比	1:0.33	 R.P.M. Max. 轉速最高	4,000 RPM	 Rotation 轉向	
---	--------	---	-----------	--	--

- Tool Holder is produced in accordance with DIN 69880.
- Driven Coupling is according to DIN1809.
- For left hand and right hand turret.
- 接合面依據DIN 69880
- 傳動軸為DIN 1809
- 同時適用於左手型刀塔及右手型刀塔



Unit : mm

Model NO.	A	B	C	D	E	F	G	H	I	J	K	L	M	N	O	P	Q	N.W.(KG)
THB-J30.100-40AR0.33	100	131.5	17	40	51	72	59.5	91	60.5	102.5	15.5	28.5	63	28	80	32	40	12.9



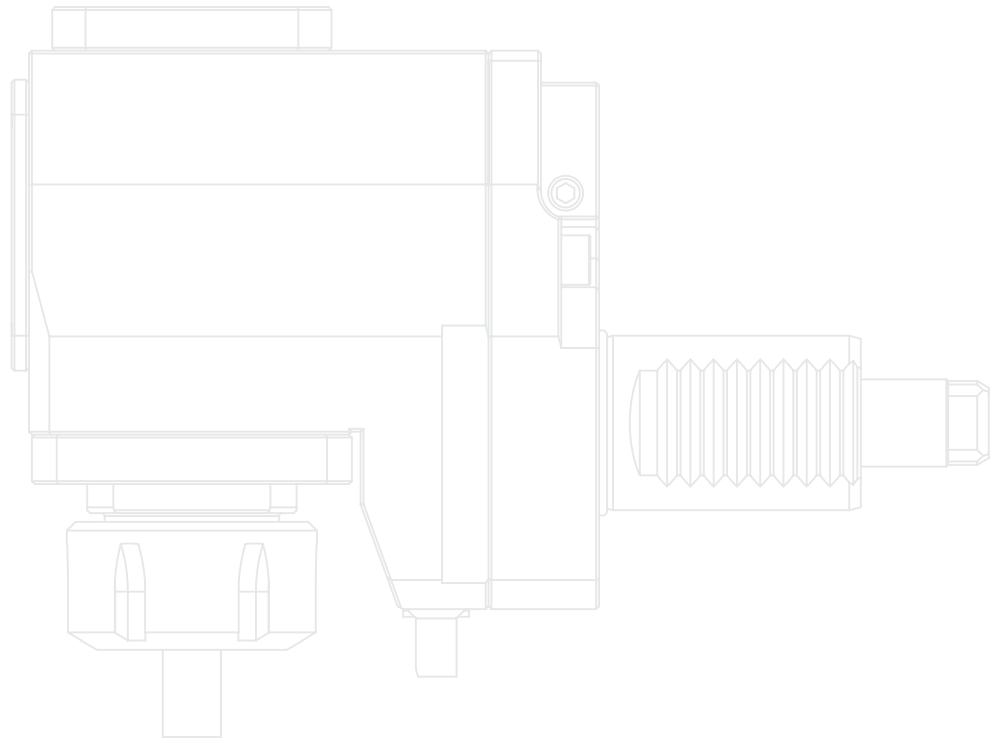


# VDI

車銑複合機刀座  
Driven & Static Tool Holder



## HYUNDAI KIA



# Driven & Static Tool Holder



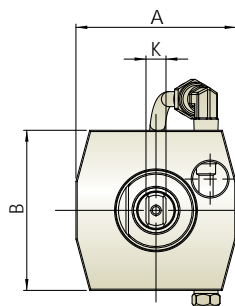
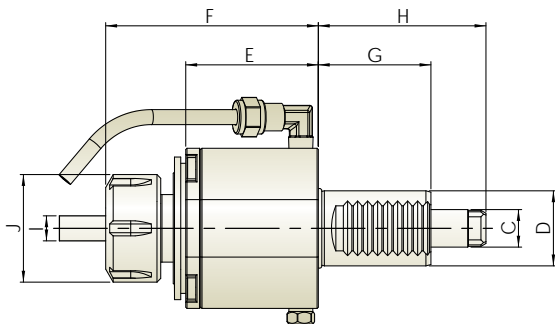
## Axial Tool Holder 軸向動力刀座

External Coolant  
外部出水

HYUNDAI KIA

R.P.M. Max. 轉速最高 6,000 RPM
 Rotation 轉向
 IN OUT

- Tool Holder is produced in accordance with DIN 69880.
- Driven Coupling is according to DIN 1809.
- ER Collet is according to DIN 6499.
- For left hand and right hand turret.
- 接合面依據DIN 69880
- 傳動軸為DIN 1809
- 輸出軸筒夾為DIN 6499
- 同時適用於左手型刀塔及右手型刀塔



Unit : mm

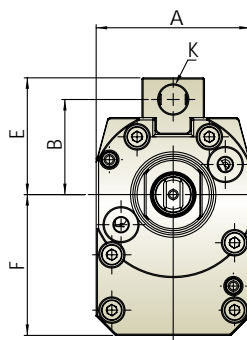
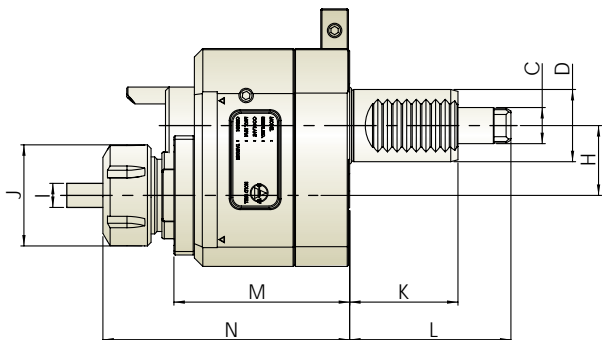
Model No.	A	B	C	D	E	F max	G	H	I	J	K	N.W.(KG)
THB-A04-30H	64	64	15	30	53	88.5	45	67	ER25 (2~16)	43	8	2

## Axial Offset Tool Holder 軸向偏心動力刀座

External Coolant  
外部出水

Gear Ratio 齒輪比 1:1
 R.P.M. Max. 轉速最高 5,000 RPM
 Rotation 轉向
 IN OUT

- Tool Holder is produced in accordance with DIN 69880.
- Driven Coupling is according to DIN 1809.
- ER Collet is according to DIN 6499.
- For left hand and right hand turret.
- 接合面依據DIN 69880
- 傳動軸為DIN 1809
- 輸出軸筒夾為DIN 6499
- 同時適用於左手型刀塔及右手型刀塔



Unit : mm

Model NO.	A	B	C	D	E	F	G	H	I	J	K	L	M	N max	N.W.(KG)
THB-C04.29-30H	64	40	15	30	48.5	58.5	12	29	ER25(2~16)	43	45	67	73	102.5	3

# Driven & Static Tool Holder

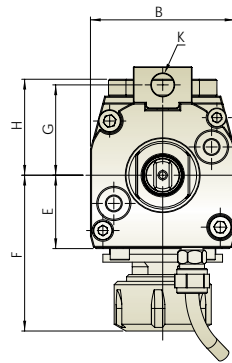
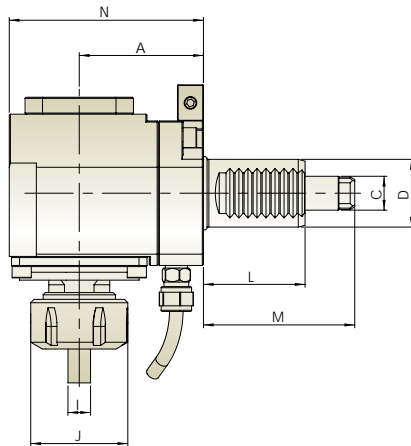


## Radial Offset Tool Holder 徑向動力刀座

External Coolant  
外部出水

Gear Ratio 齒輪比 1:1
 R.P.M. Max. 轉速最高 4,000 RPM
 Rotation 轉向

- Tool Holder is produced in accordance with DIN 69880.
- Driven Coupling is according to DIN 1809.
- ER Collet is according to DIN 6499.
- For left hand and right hand turret.
- 接合面依據DIN 69880
- 傳動軸為DIN 1809
- 輸出軸筒夾為DIN 6499
- 同時適用於左手型刀塔及右手型刀塔



Unit : mm

Model NO.	A	B	C	D	E	F max	G	H	I	J	K	L	M	N	N.W.(KG)
THB-B04.55-30H	55	64	15	30	32.5	69	40	42.5	ER25(2~16)	43	10	45	67	86	3

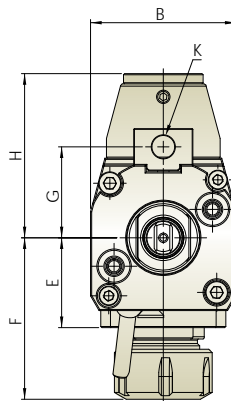
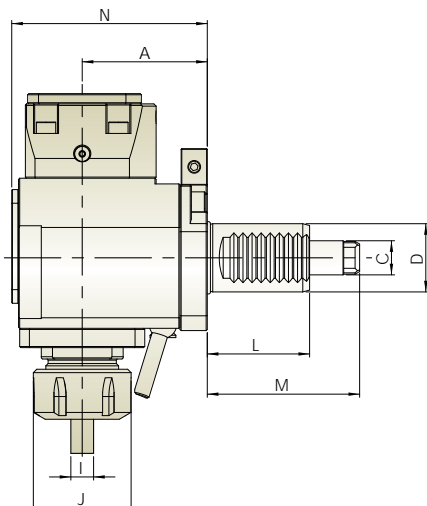
※ Further option : 6000 RPM 另有 6000RPM 可供選擇

## Radial Offset Tool Holder 徑向動力刀座

Internal Coolant  
中心出水

Gear Ratio 齒輪比 1:1
 R.P.M. Max. 轉速最高 4,000 RPM
 Internal Coolant 中心冷卻出水 30 bar
 Rotation 轉向

- Tool Holder is produced in accordance with DIN 69880.
- Driven Coupling is according to DIN 1809.
- ER Collet is according to DIN 6499.
- For left hand and right hand turret.
- 接合面依據DIN 69880
- 傳動軸為DIN 1809
- 輸出軸筒夾為DIN 6499
- 同時適用於左手型刀塔及右手型刀塔



Unit : mm

Model NO.	A	B	C	D	E	F max	G	H	I	J	K	L	M	N	N.W.(KG)
THB-B04.55-30HI	55	64	15	30	39.5	71	40	72.2	ER25(2~16)	43	10	45	67	86	3.4

# Driven & Static Tool Holder

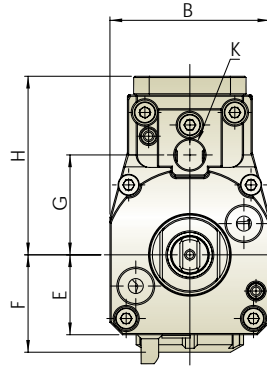
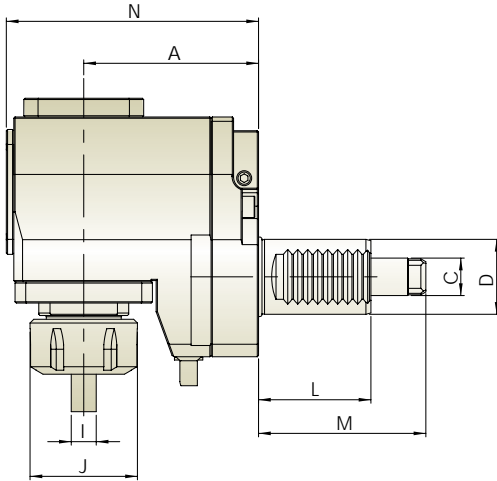


HYUNDAI KIA

## Radial Offset Tool Holder 徑向後縮動力刀座

External Coolant  
外部出水

Gear Ratio 齒輪比 1:1
 R.P.M. Max. 轉速最高 4,000 RPM
 Rotation 轉向
 IN OUT



Unit : mm

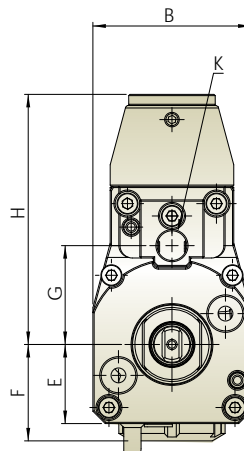
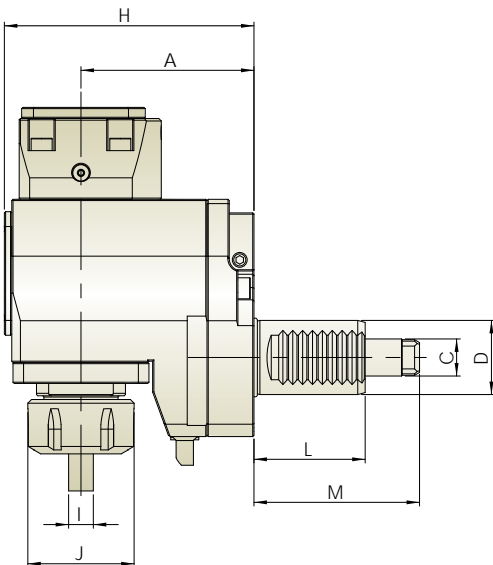
Model NO.	A	B	C	D	E	F	G	H	I	J	K	L	M	N	N.W.(KG)
THB-D04.70-30H	70	64	15	30	32	39	40	71.5	ER25(2~16)	43	12	45	67	101	3.4

\* Further option : 6000 RPM 另有 6000RPM 可供選擇

## Radial Offset Tool Holder 徑向後縮動力刀座

Internal Coolant  
中心出水

Gear Ratio 齒輪比 1:1
 R.P.M. Max. 轉速最高 4,000 RPM
 Internal Coolant 中心冷卻出水 30 bar
 Rotation 轉向
 IN OUT



Unit : mm

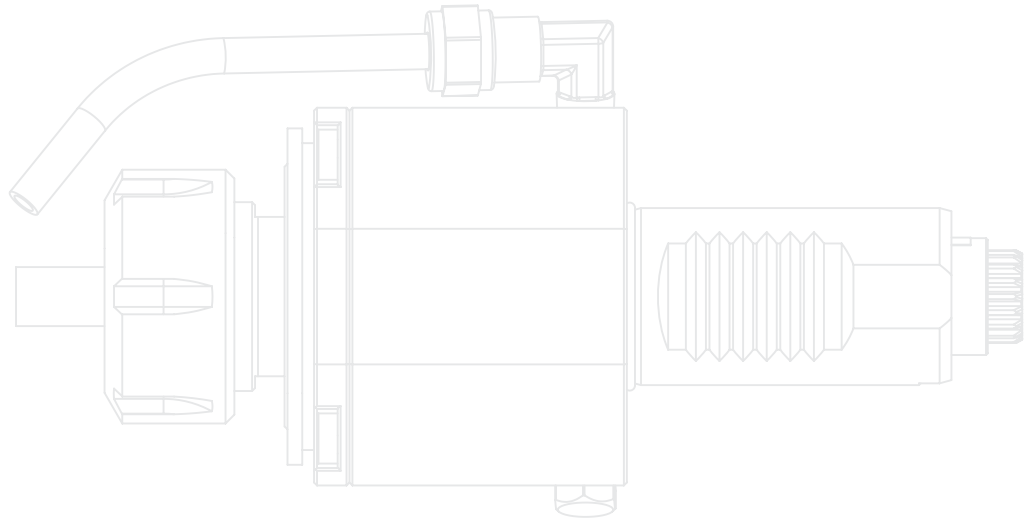
Model NO.	A	B	C	D	E	F	G	H	I	J	K	L	M	N	N.W.(KG)
THB-D04.70-30HI	70	64	15	30	32	39	40	101.2	ER25(2~16)	43	12	45	67	101	3.8

# VDI

車銑複合機刀座  
Driven & Static Tool Holder



## DIN5480



# Driven & Static Tool Holder



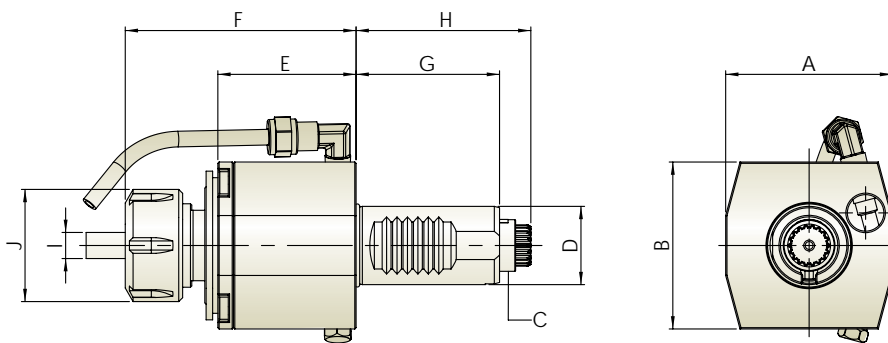
## Axial Tool Holder 軸向動力刀座

External Coolant  
外部出水

R.P.M. Max. 轉速最高 **6,000 RPM**
 Rotation 轉向

- Tool Holder is produced in accordance with DIN 69880.
- Driven Coupling is according to DIN 5480.
- ER Collet is according to DIN6499.
- For left hand and right hand turret.
- 接合面依據DIN 69880
- 傳動軸為DIN 5480
- 輸出軸筒夾為DIN6499
- 同時適用於左手型刀塔及右手型刀塔

DIN 5480



Unit : mm

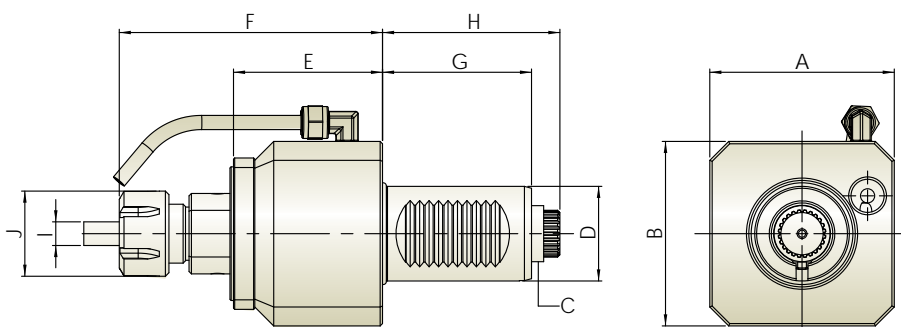
Model NO.	A	B	C	D	E	F max	G	H	I	J	N.W.(KG)
THB-A02-20B (*)	60	60	W11*0.8	20	49	77.6	40	46.5	ER16(1~10)	32	1.2
THB-A04-30B (*) THB-A04-30S	64	64	W16*0.8	30	53	88.5	55	67	ER25(2~16)	43	2
THB-A05-30B (*) THB-A05-30S	64	64	W16*0.8	30	53	91	55	67	ER32(3~20)	50	2
THB-A05-40B (*) THB-A05-40S	76	76	W20*0.8	40	55	93	63	75	ER32(3~20)	50	3
THB-A06-50B (*) THB-A06-50S	82.5	79	W24*1.25	50	67.5	114	78	93	ER40(4~26)	63	4.5

※ (\*) : Sauter Original Clutch. Sauter 聯軸器

## Axial ER Tapping Tool Holder 軸向 ER 彈性攻牙動力刀座

External Coolant  
外部出水

R.P.M. Max. 轉速最高 **3,000 RPM**
 Rotation 轉向



Unit : mm

Model No.	A	B	C	D	E	F max	G	H	I	J	N.W.(KG)
THB-A15-40B (*) THB-A15-40S	78	78	W20*0.8	40	63	111.3	63	75	M3~M12	36	3.2

※ (\*) : Sauter Original Clutch. Sauter 聯軸器

# Driven & Static Tool Holder

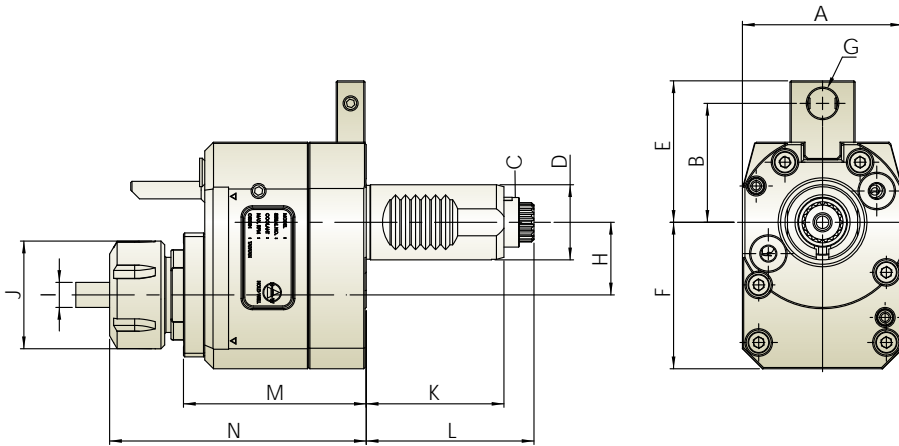


## Axial Offset Tool Holder 軸向偏心動力刀座

External Coolant  
外部出水

Gear Ratio 齒輪比 1:1
 R.P.M. Max. 轉速最高 5,000 RPM
 Rotation 轉向

- Tool Holder is produced in accordance with DIN 69880.
- Driven Coupling is according to DIN 1809.
- ER Collet is according to DIN 6499.
- For left hand and right hand turret.
- 接合面依據DIN 69880
- 傳動軸為DIN 5480
- 輸出軸筒夾為DIN6499
- 同時適用於左手型刀塔及右手型刀塔



DIN 5480

Unit : mm

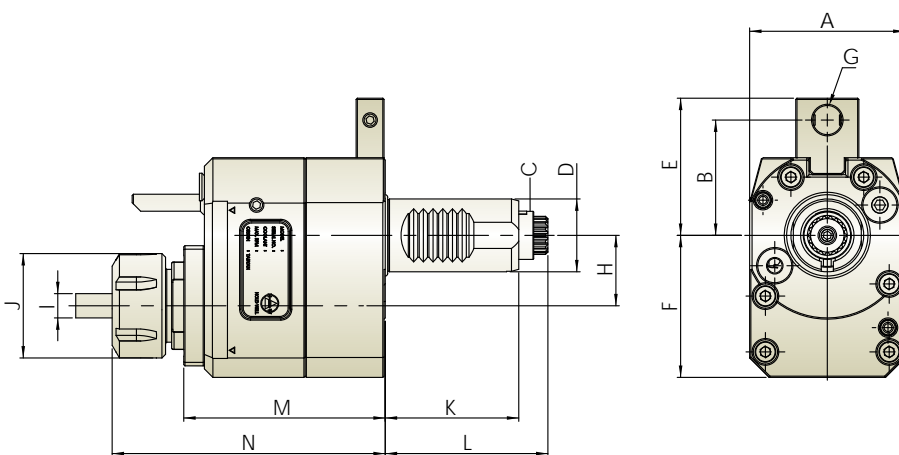
Model NO.	A	B	C	D	E	F	G	H	I	J	K	L	M	N max	N.W.(KG)
THB-C04.29-30B (*) THB-C04.29-30S	64	48	W16*0.8	30	56.5	58.5	12	29	ER25(2~16)	43	55	67	73	102.5	3
THB-C05.50-40B (*) THB-C05.50-40S	74	63	W20*0.8	40	74.5	83	15.5	50	ER32(3~20)	50	63	75	81.5	121.5	5.8

※ (\*) : Sauter Original Clutch. Sauter 聯軸器

## Axial Offset Tool Holder 軸向偏心動力刀座

Internal Coolant  
中心出水

Gear Ratio 齒輪比 1:1
 R.P.M. Max. 轉速最高 5,000 RPM
 Internal Coolant 中心冷卻出水 30 bar
 Rotation 轉向



Unit : mm

Model NO.	A	B	C	D	E	F	G	H	I	J	K	L	M	N max	N.W.(KG)
THB-C04.29-30BI (*) THB-C04.29-30SI	64	48	W16*0.8	30	56.5	58.5	12	29	ER25(2~16)	43	55	67	83	112.5	3.4

※ (\*) : Sauter Original Clutch. Sauter 聯軸器

# Driven & Static Tool Holder



## Radial Tool Holder 徑向動力刀座

External Coolant  
外部出水



Gear Ratio  
齒輪比 1:1



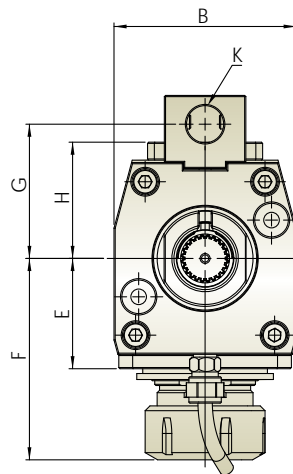
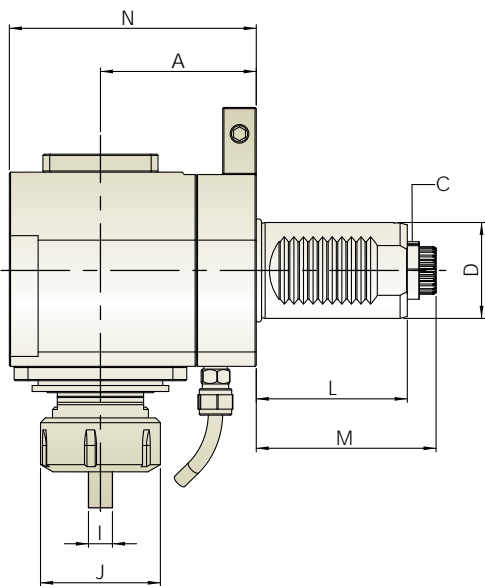
R.P.M. Max.  
轉速最高 4,000 RPM



Rotation  
轉向 IN OUT

- Tool Holder is produced in accordance with DIN 69880.
- Driven Coupling is according to DIN 5480.
- ER Collet is according to DIN6499.
- For left hand and right hand turret.
- 接合面依據DIN 69880
- 傳動軸為DIN 5480
- 輸出軸筒夾為DIN6499
- 同時適用於左手型刀塔及右手型刀塔

DIN 5480



Unit : mm

Model NO.	A	B	C	D	E	F	G	H	I	J	K	L	M	N max	N.W.(KG)
THB-B02.48-20B	48	50	W11*0.8	20	34.5	62.5	70	33.5	ER16(1~10)	32	12	40	46.5	71.5	1.5
THB-B04.55-30B(*) THB-B04.55-30S	55	63	W16*0.8	30	39.5	71	48	42.5	ER25(2~16)	43	11	55	67	86	2.9
THB-B04.85-30B(*) THB-B04.85-30S	85	63	W16*0.8	30	39.5	71	48	42.5	ER25(2~16)	43	11	55	67	116	3.8
THB-B04.100-30B(*) THB-B04.100-30S	100	63	W16*0.8	30	39.5	71	48	42.5	ER25(2~16)	43	11	55	67	131	4.1
THB-B05.65-40B(*) THB-B05.65-40S	65	76	W20*0.8	40	46	84	56	48.5	ER32(3~20)	50	15.5	63	75	103	5.1
THB-B05.85-40B(*) THB-B05.85-40S	85	76	W20*0.8	40	46	84	56	48.5	ER32(3~20)	50	15.5	63	75	123	5.8
THB-B05.100-40B(*) THB-B05.100-40S	100	76	W20*0.8	40	46	84	56	48.5	ER32(3~20)	50	15.5	63	75	138	5.1
THB-B06.90-40B(*) THB-B06.90-40S	90	90	W20*0.8	40	56	105	56	62	ER40(4~26)	63	15.5	63	75	129	7.4
THB-B06.92-50B(*) THB-B06.92-50S	92	86	W24*1.25	50	59	105.5	64	62	ER40(4~26)	63	18	78.2	92.7	136	8.8

※ Further option : 6000 RPM 另有 6000RPM 可供選擇 ※ (\*) : Sauter Original Clutch. Sauter 聯軸器



# Driven & Static Tool Holder

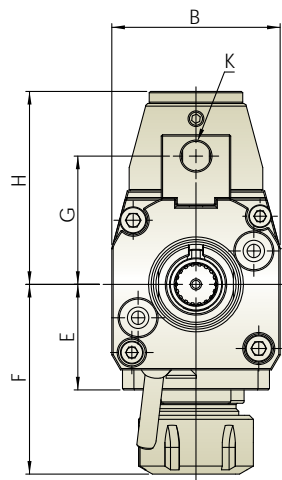
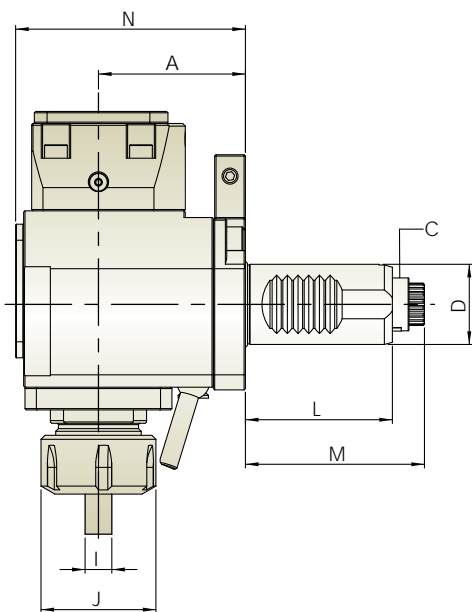


## Radial Tool Holder 徑向動力刀座

Internal Coolant  
中心出水

Gear Ratio 齒輪比	1:1	R.P.M. Max. 轉速最高	4,000 RPM	Internal Coolant 中心冷卻出水	30 bar	Rotation 轉向	
-------------------	-----	---------------------	-----------	----------------------------	--------	----------------	--

- Tool Holder is produced in accordance with DIN 69880.
- Driven Coupling is according to DIN 5480.
- ER Collet is according to DIN6499.
- For left hand and right hand turret.
- 接合面依據DIN 69880
- 傳動軸為DIN 5480
- 輸出軸筒夾為DIN6499
- 同時適用於左手型刀塔及右手型刀塔



DIN 5480

Unit : mm

Model NO.	A	B	C	D	E	F	G	H	I	J	K	L	M	N max	N.W.(KG)
THB-B04.55-30BI(*) THB-B04.55-30SI	55	63	W16*0.8	30	39.5	71	48	72.2	ER25(2~16)	43	11	55	67	86	3.4
THB-B04.85-30BI(*) THB-B04.85-30SI	85	63	W16*0.8	30	39.5	71	48	72.2	ER25(2~16)	43	11	55	67	116	4.2
THB-B04.100-30BI(*) THB-B04.100-30SI	100	63	W16*0.8	30	39.5	71	48	72.2	ER25(2~16)	43	11	55	67	131	4.6
THB-B05.65-40BI(*) THB-B05.65-40SI	65	76	W20*0.8	40	49	85	56	78.2	ER32(3~20)	50	15.5	63	75	101	5.3
THB-B05.85-40BI(*) THB-B05.85-40SI	85	76	W20*0.8	40	49	85	56	78.2	ER32(3~20)	50	15.5	63	75	121	5.8
THB-B05.100-40BI(*) THB-B05.100-40SI	100	76	W20*0.8	40	49	85	56	78.2	ER32(3~20)	50	15.5	63	75	136	6.9
THB-B06.90-40BI(*) THB-B06.90-40SI	90	90	W20*0.8	40	56	105	56	90.2	ER40(4~26)	63	15.5	63	75	129	7.4
THB-B06.92-50BI(*) THB-B06.92-50SI	92	86	W24*1.25	50	59	105.5	64	90.5	ER40(4~26)	63	18	78.2	92.7	136	9.4

※ Further option : 6000 RPM 另有 6000RPM 可供選擇 ※ (\*) : Sauter Original Clutch. Sauter 聯軸器

# Driven & Static Tool Holder

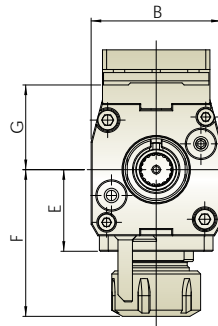
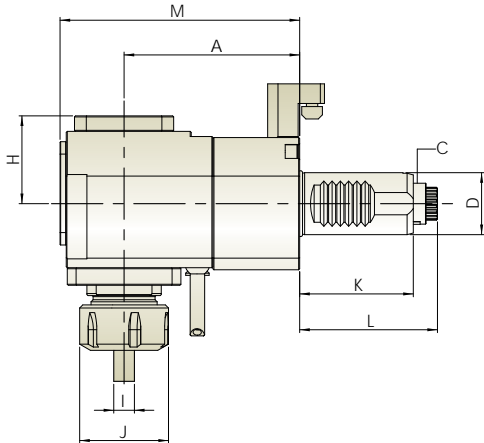


## Radial Tool Holder 徑向動力刀座 (安耐版)

External Coolant  
外部出水

Gear Ratio 齒輪比 1:1
 R.P.M. Max. 轉速最高 4,000 RPM
 Rotation 轉向
 IN OUT

- Tool Holder is produced in accordance with DIN 69880.
- Driven Coupling is according to DIN 5480.
- ER Collet is according to DIN6499.
- For left hand and right hand turret.
- 接合面依據DIN 69880
- 傳動軸為DIN 5480
- 輸出軸筒夾為DIN6499
- 同時適用於左手型刀塔及右手型刀塔



Unit : mm

Model NO.	A	B	C	D	E	F max	G	H	I	J	K	L	M	N.W.(KG)
THB-B04.85-30BB(*) THB-B04.85-30SB	85	63	W16*0.8	30	39.5	71	41	42.5	ER25(2~16)	43	55	67	116	4

※ Further option : 6000 RPM 另有 6000RPM 可供選擇 ※ (\*) : Sauter Original Clutch. Sauter 聯軸器

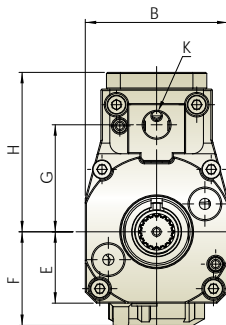
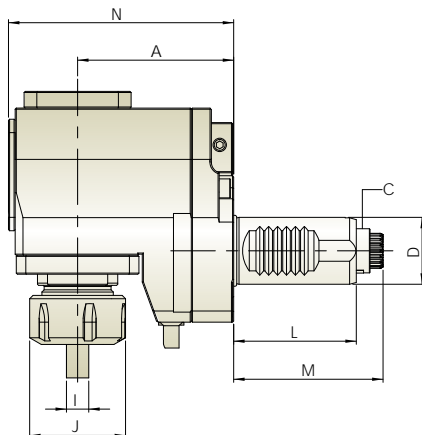
DIN 5480

## Radial Offset Tool Holder 徑向後縮動力刀座

External Coolant  
外部出水

Gear Ratio 齒輪比 1:1
 R.P.M. Max. 轉速最高 4,000 RPM
 Rotation 轉向
 IN OUT

- Tool Holder is produced in accordance with DIN 69880.
- Driven Coupling is according to DIN 5480.
- ER Collet is according to DIN6499.
- For left hand and right hand turret.
- 接合面依據DIN 69880
- 傳動軸為DIN 5480
- 輸出軸筒夾為DIN6499
- 同時適用於左手型刀塔及右手型刀塔



Unit : mm

Model No.	A	B	C	D	E	F max	G	H	I	J	K	L	M	N	N.W.(KG)
THB-D04.70-30B (*) THB-D04.70-30S	70	64	W16*0.8	30	32	42	48	71.5	ER25 (2~16)	43	12	55	67	101	2.8
THB-D05.100-40B (*) THB-D05.100-40S	100	80	W20*0.8	40	38	35	56	98.5	ER32 (3~20)	50	15.5	63	75	139.5	8

※ Further option : 6000 RPM 另有 6000RPM 可供選擇 ※ (\*) : Sauter Original Clutch. Sauter 聯軸器

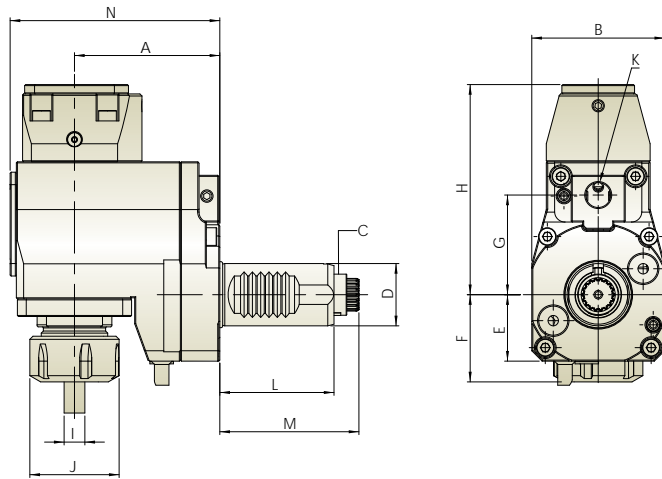
# Driven & Static Tool Holder



## Radial Offset Tool Holder 徑向後縮動力刀座

Internal Coolant  
中心出水

Gear Ratio 齒輪比 1:1
 R.P.M. Max. 轉速最高 4,000 RPM
 Internal Coolant 中心冷卻出水 30 bar
 Rotation 轉向
 IN OUT



DIN 5480

Unit : mm

Model No.	A	B	C	D	E	F max	G	H	I	J	K	L	M	N	N.W.(KG)
THB-D04.70-30BI (*) THB-D04.70-30SI	70	64	W16*0.8	30	32	42	48	101.2	ER25 (2~16)	43	12	55	67	101	3.3
THB-D05.100-40BI (*) THB-D05.100-40SI	100	80	W20*0.8	40	38	35	56	128.2	ER32 (3~20)	50	15.5	63	75	139.5	8.5

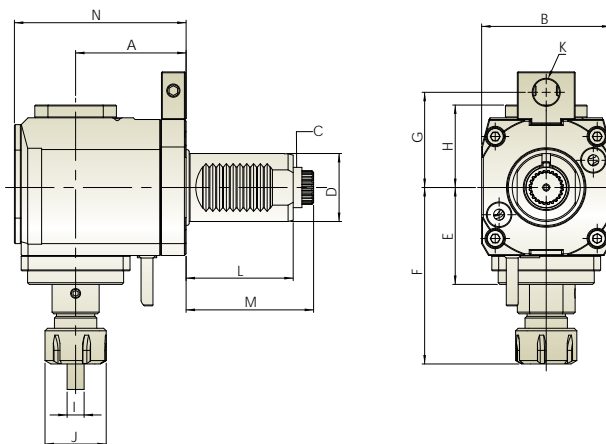
※ Further option : 6000 RPM 另有 6000RPM 可供選擇 ※ (\*) : Sauter Original Clutch. Sauter 聯軸器

## Radial ER Tapping Tool Holder 徑向 ER 彈性攻牙動力刀座

External Coolant  
外部出水

Gear Ratio 齒輪比 1:1
 R.P.M. Max. 轉速最高 3,000 RPM
 Rotation 轉向
 IN OUT

- Tool Holder is produced in accordance with DIN 69880.
- Driven Coupling is according to DIN 5480.
- ER Collet is according to DIN6499.
- For left hand and right hand turret.
- 接合面依據DIN 69880
- 傳動軸為DIN 5480
- 輸出軸筒夾為DIN6499
- 同時適用於左手型刀塔及右手型刀塔



Unit : mm

Model No.	A	B	C	D	E	F max	G	H	I	J	K	L	M	N	N.W.(KG)
THB-B15.65-40B (*) THB-B15.65-40S	65	76	W20*0.8	40	57	103.8	56	48.5	M3~M12	36	15.5	63	75	101	4.9
THB-B15.85-40B (*) THB-B15.85-40S	85	76	W20*0.8	40	57	103.8	56	48.5	M3~M12	36	15.5	63	75	121	5.8
THB-B15.100-40B (*) THB-B15.100-40S	100	76	W20*0.8	40	57	103.8	56	48.5	M3~M12	36	15.5	63	75	136	6.4

※ (\*) : Sauter Original Clutch. Sauter 聯軸器

# Driven & Static Tool Holder

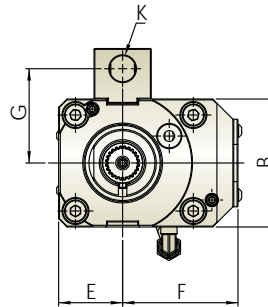
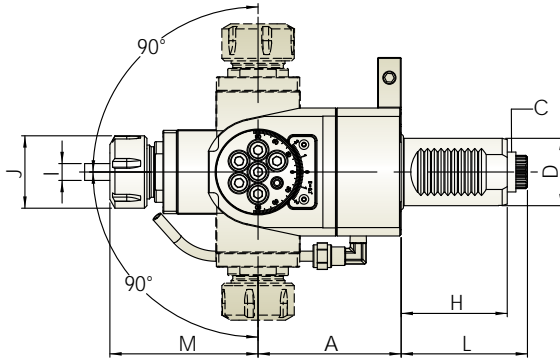


## Angle Adjustable Tool Holder 萬向動力刀座

External Coolant  
外部出水

Gear Ratio 齒輪比 1:1
 R.P.M. Max. 轉速最高 4,000 RPM
 Rotation 轉向

- Cutting angle can be set from +90 to -90 degree for various applications.
- 擺動角度+90 度至-90 度



DIN 5480

Unit : mm

Model NO.	A	B	C	D	E	F	G	H	I	J	K	L	M max	N.W.(KG)
THB-E04.85-40B (*) THB-E04.85-40S	85	76	W20*0.8	40	38	68.5	56	63	ER25(2~16)	43	15.5	75	88	6

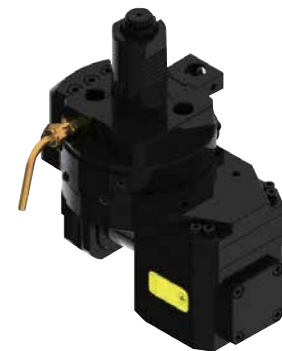
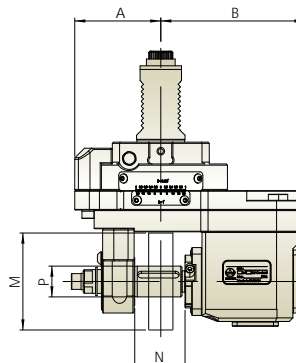
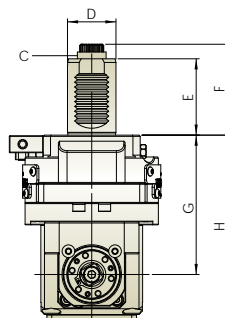
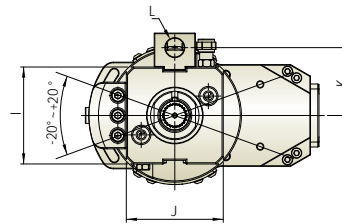
※ (\*) : Sauter Original Clutch. Sauter 聯軸器

## Axial Swivel Gear Hobber Tool Holder 軸向擺動滾齒動力刀座

External Coolant  
外部出水

Gear Ratio 齒輪比 1.8:1
 R.P.M. Max. 轉速最高 4,000 RPM
 Rotation 轉向

- Tool Holder is produced in accordance with DIN 69880.
- Driven Coupling is according to DIN 5480.
- For left hand and right hand turret.
- Cutting angle can be set from +20 to -20 degree for various applications.
- Suitable for machining Spur Gear and Bevel Gear.
- 接合面依據DIN 69880
- 傳動軸為DIN 5480
- 同時適用於左手型刀塔及右手型刀塔
- 擺動角度+20 至-20 度
- 可使用於正/斜齒輪加工



Unit : mm

Model NO.	A	B	C	D	E	F	G	H	I	J	K	L	M	N	O	N.W.(KG)
THB-R29.115-40B THB-R29.115-40S	71	119	W20*0.8	40	63	75	115	152	80	80	56	15.5	80	40	27	10
THB-R29.115-50B THB-R29.115-50S	71	119	W24*1.25	50	78	92.7	115	152	90	86	64	20	80	40	27	9

※ (\*) : Sauter Original Clutch. Sauter 聯軸器

# Driven & Static Tool Holder



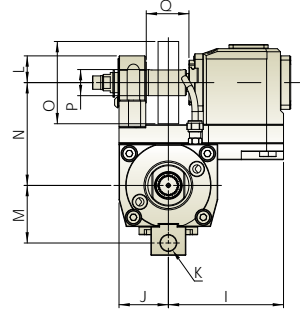
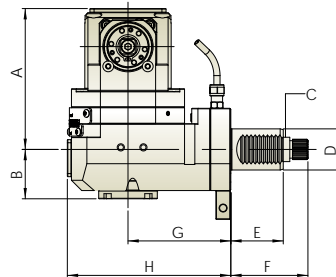
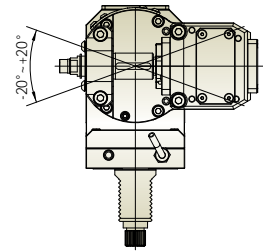
## Radial Swivel Gear Hobber Tool Holder 徑向擺動滾齒動力刀座

External Coolant  
外部出水

Gear Ratio 齒輪比	2.76 : 1	R.P.M. Max. 轉速最高	4,000 RPM	Rotation 轉向	
-------------------	----------	---------------------	-----------	----------------	--

- Tool Holder is produced in accordance with DIN 69880.
- Driven Coupling is according to DIN 1809.
- For left hand and right hand turret.
- Cutting angle can be set from +20 to -20 degree for various applications.
- Suitable for machining Spur Gear and Bevel Gear.

- 接合面依據DIN 69880
- 傳動軸為DIN 1809
- 同時適用於左手型刀塔及右手型刀塔
- 擺動角度+20至-20度
- 可使用於正/斜齒輪加工



DIN 5480

Unit : mm

Model NO.	A	B	C	D	E	F	G	H	I	J	K	L	M	N	O	P	Q	N.W.(KG)
THB-T29.100-40B THB-T29.100-40S	137	48	W20*0.8	40	51	75	100	159	112	48	15.5	26	56	100	80	27	40	12.2
THB-T29.100-50B THB-T29.100-50S	137	48	W24*1.25	50	68	90.7	100	159	112	48	18	26	64	100	80	27	40	14.7

※ (\*) : Sauter Original Clutch. Sauter 聯軸器

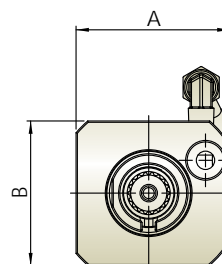
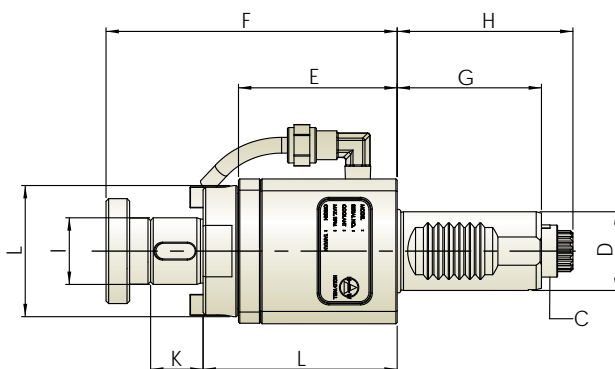
## Axial Side Mill Tool Holder 軸向側銑動力刀座

External Coolant  
外部出水

Gear Ratio 齒輪比	1 : 1	R.P.M. Max. 轉速最高	4,000 RPM	Rotation 轉向	
-------------------	-------	---------------------	-----------	----------------	--

- Tool Holder is produced in accordance with DIN 69880.
- Driven Coupling is according to DIN 5480.

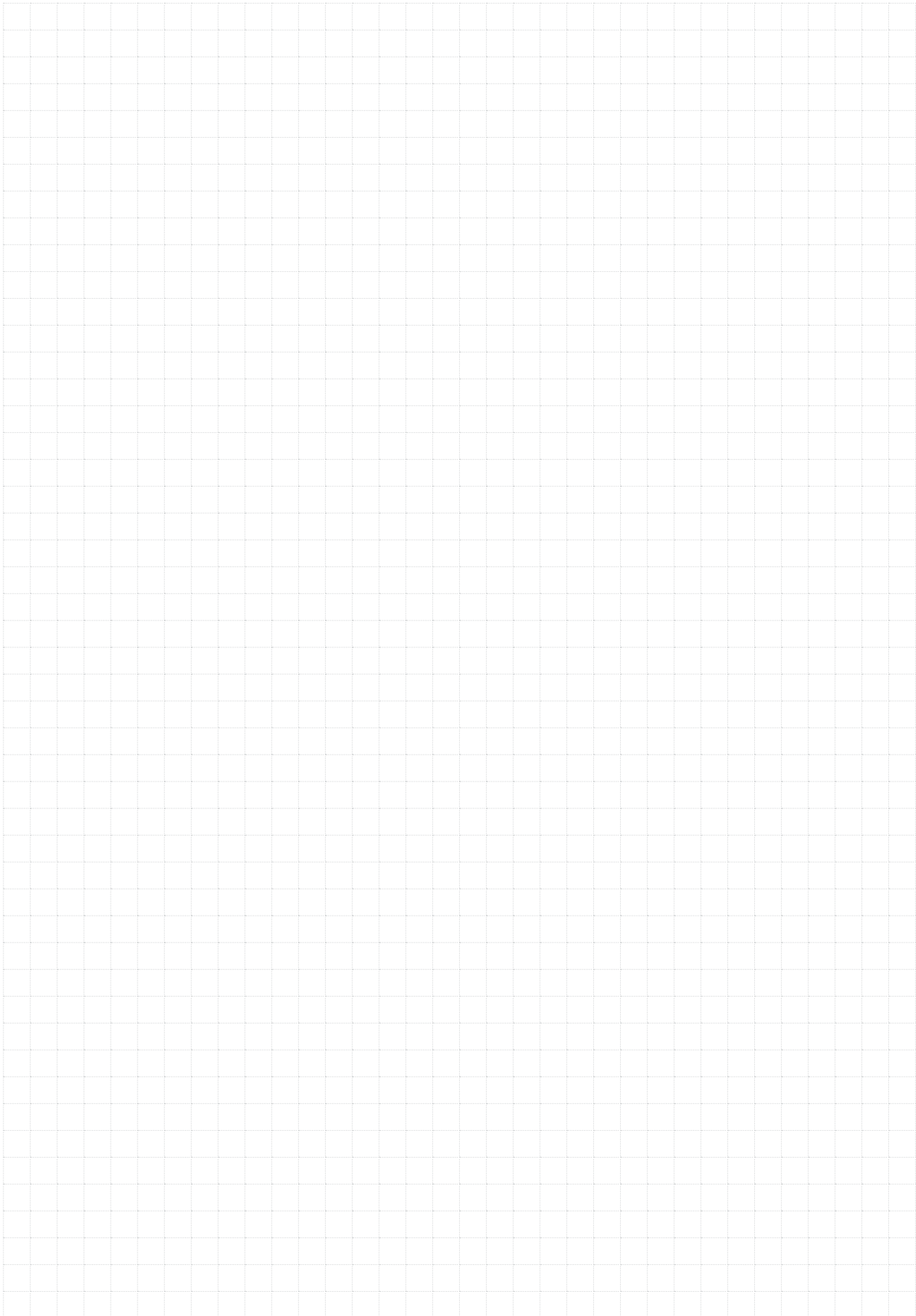
- 接合面依據DIN 69880
- 傳動軸為DIN 5480



Unit : mm

Model No.	A	B	C	L	D	E	F	G	H	I	J	K	N.W.(KG)
THB-A22-30B (*) THB-A22-30S	58.7	55.2	W16*0.8	74	30	60.5	111	55	67	25.4	50	20	1.95

※ (\*) : Sauter Original Clutch. Sauter 聯軸器

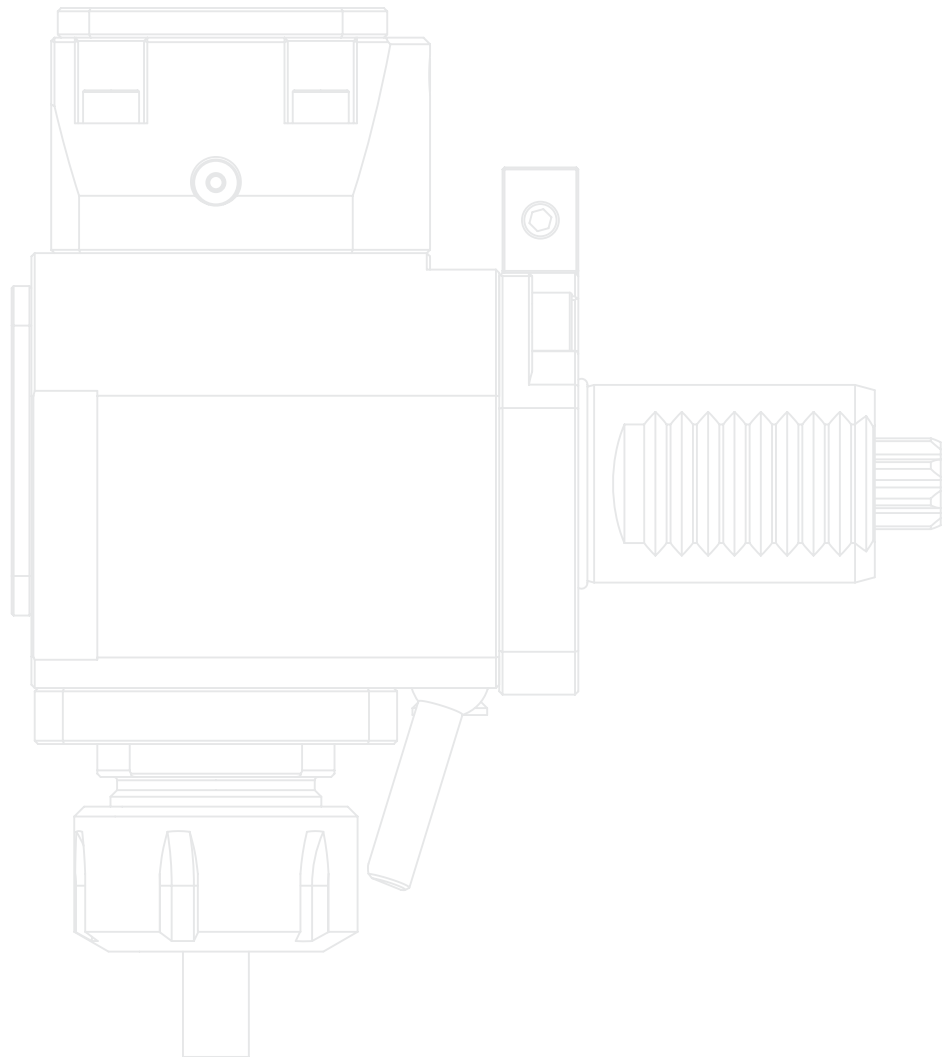


# VDI

車銑複合機刀座  
Driven & Static Tool Holder



## DIN5482



# Driven & Static Tool Holder

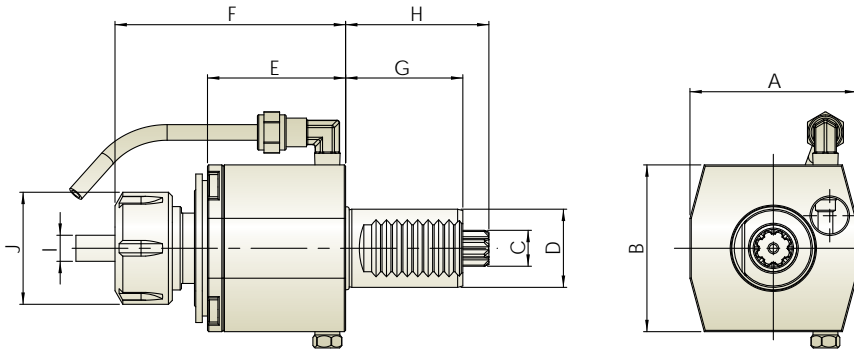


## Axial Tool Holder 軸向動力刀座

External Coolant  
外部出水

R.P.M. Max. 轉速最高 **6,000 RPM**
 Rotation 轉向

- Tool Holder is produced in accordance with DIN 69880.
- Driven Coupling is according to DIN 5482.
- ER Collet is according to DIN 6499.
- For left hand and right hand turret.
- 接合面依據DIN 69880
- 傳動軸為DIN 5482
- 輸出軸筒夾為DIN 6499
- 同時適用於左手型刀塔及右手型刀塔



Unit : mm

Model No.	A	B	C	D	E	F max	G	H	I	J	N.W.(KG)
THB-A04-30C	64	64	B15*12	30	53	88.5	45	55	ER25 (2~16)	43	2
THB-A05-40C	76	76	B17*14	40	55	93	51	63	ER32 (2~20)	50	2.8
THB-A06-40C	76	76	B17*14	40	74	123	51	63	ER40 (4~26)	63	3.8
THB-A06-50C	86	86	B20*17	50	81	129.5	68	93	ER40 (4~26)	63	5.4
THB-A07-60C	104	104	B25*22	60	110.5	155	78	108	ER50(12~34)	78	9.7

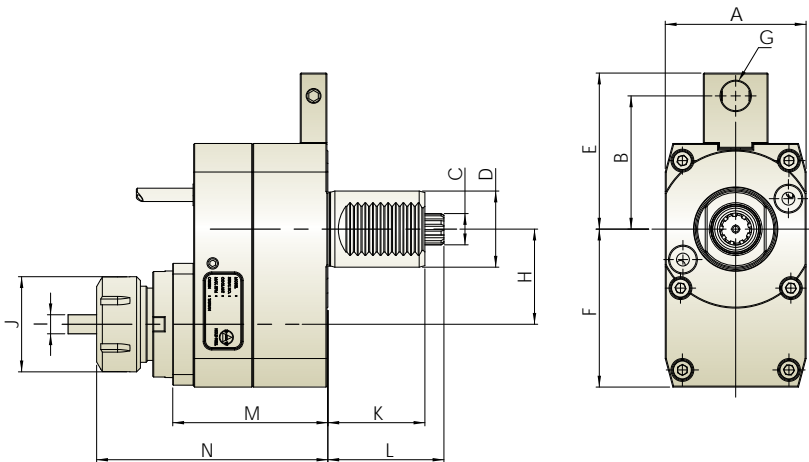
DIN 5482

## Radial Tool Holder 軸向偏心動力刀座

External Coolant  
外部出水

Gear Ratio 齒輪比 **1:1**
 R.P.M. Max. 轉速最高 **4,000 RPM**
 Rotation 轉向

- Tool Holder is produced in accordance with DIN 69880.
- Driven Coupling is according to DIN 5482.
- ER Collet is according to DIN 6499.
- For left hand and right hand turret.
- 接合面依據DIN 69880
- 傳動軸為DIN 5482
- 輸出軸筒夾為DIN 6499
- 同時適用於左手型刀塔及右手型刀塔



Unit : mm

Model NO.	A	B	C	D	E	F	G	H	I	J	K	L	M	N max	N.W.(KG)
THB-C05.50-40C	74	70	B17*14	40	82	83	15.5	50	ER32(3~20)	50	51	61	81.5	121.5	5.7



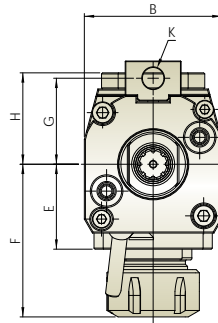
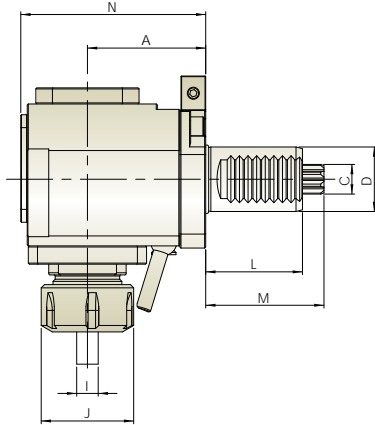
# Driven & Static Tool Holder



## Radial Tool Holder 徑向動力刀座

External Coolant  
外部出水

Gear Ratio 齒輪比 1:1
 R.P.M. Max. 轉速最高 4,000 RPM
 Rotation 轉向
 IN OUT



Unit : mm

Model No.	A	B	C	D	E	F max	G	H	I	J	K	L	M	N	N.W.(KG)
THB-B04.55-30C	55	64	B15*12	30	39.5	72	40	42.5	ER25 (2~16)	43	10	45	55	86	2.9
THB-B05.65-40C	65	76	B17*14	40	46	84.5	63	48.5	ER32 (3~20)	50	15.5	51	63	103	5
THB-B06.90-40C	90	80	B17*14	40	60	105	63	62	ER40 (4~26)	63	15.5	51	63	129	7.5
THB-B06.92-50C	92	86	B20*17	50	59	105.5	70	62	ER40 (4~26)	63	18	68	93	136	8.7

※ Further option : 6000 RPM 另有 6000RPM 可供選擇

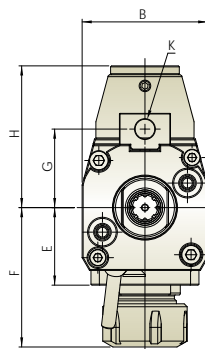
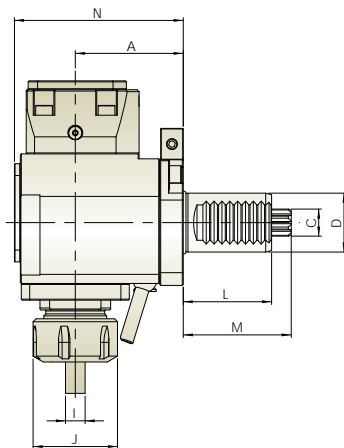
DIN 5482

## Radial Tool Holder 徑向動力刀座

Internal Coolant  
中心出水

Gear Ratio 齒輪比 1:1
 R.P.M. Max. 轉速最高 4,000 RPM
 Internal Coolant 中心冷卻出水 30 bar
 Rotation 轉向
 IN OUT

- Tool Holder is produced in accordance with DIN 69880.
- Driven Coupling is according to DIN 5482.
- ER Collet is according to DIN 6499.
- For left hand and right hand turret.
- 接合面依據DIN 69880
- 傳動軸為DIN 5482
- 輸出軸筒夾為DIN 6499
- 同時適用於左手型刀塔及右手型刀塔



Unit : mm

Model NO.	A	B	C	D	E	F max	G	H	I	J	K	L	M	N	N.W.(KG)
THB-B04.55-30CI	55	64	B15*12	30	39.5	71	40	72.2	ER25(2~16)	43	10	45	55	86	3.4
THB-B05.65-40CI	65	76	B17*14	40	46	84	63	78.2	ER32(3~20)	50	15.5	51	63	103	5
THB-B06.90-40CI	90	80	B17*14	40	56	105	63	90.2	ER40(4~26)	63	15.5	51	63	129	7.5
THB-B06.92-50CI	92	86	B20*17	50	59	105.5	70	90.5	ER40(4~26)	63	18	68	93	136	9.3

※ Further option : 6000 RPM 另有 6000RPM 可供選擇

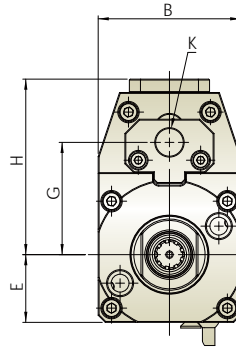
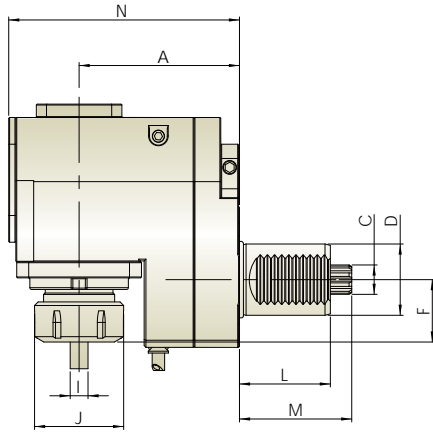
# Driven & Static Tool Holder



## Radial Tool Holder 徑向後縮動力刀座

Internal Coolant  
外部出水

Gear Ratio 齒輪比 1:1
 R.P.M. Max. 轉速最高 4,000 RPM
 Rotation 轉向
 IN OUT



Unit : mm

Model NO.	A	B	C	D	E	F max	G	H	I	J	K	L	M	N	N.W.(KG)
THB-D05.90-40C	90	80	B17*14	40	38	35	63	98.5	ER32(3~20)	50	15.5	51	63	129.5	7.3
THB-D07.102-60C	102	104	B25*22	60	54	75	85	138	ER50(12~34)	78	16	78	108	151	15.9

※ Further option : 6000 RPM 另有 6000RPM 可供選擇

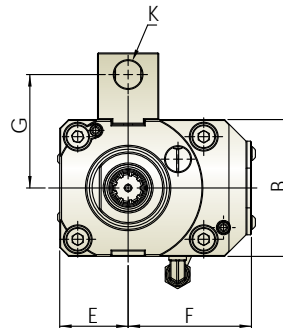
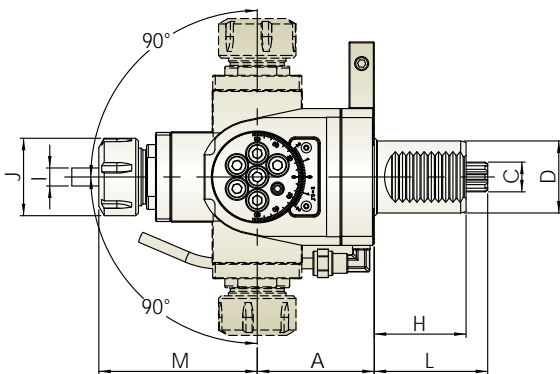
DIN 5482

## Angle Adjustable Tool Holder 萬向動力刀座

External Coolant  
外部出水

Gear Ratio 齒輪比 1:1
 R.P.M. Max. 轉速最高 4,000 RPM
 Rotation 轉向
 IN OUT

- Cutting angle can be set from +90 to -90 degree for various applications.
- 擺動角度+90度至-90度



Unit : mm

Model NO.	A	B	C	D	E	F	G	H	I	J	K	L	M	N max	N.W.(KG)
THB-E04.65-40C	65	76	B17*14	40	68	68.5	63	51	ER25(2~16)	43	15.5	63	63	88	4.8

# Driven & Static Tool Holder

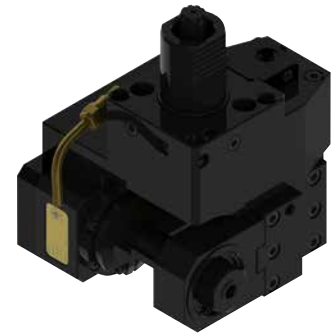
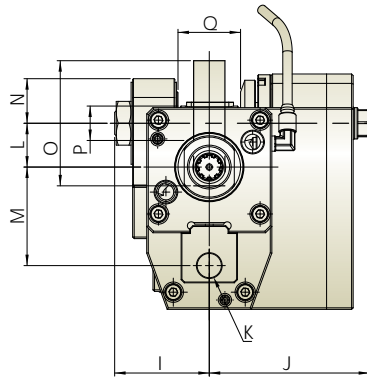
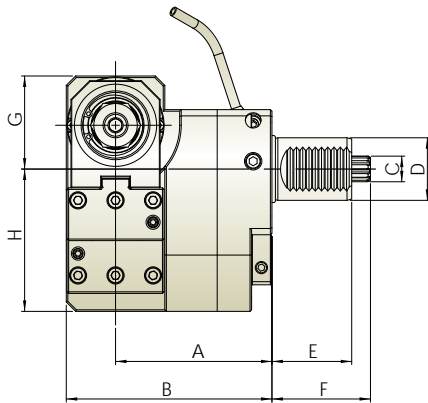


## Radial Side Cutting Tool Holder 徑向內側銑動力刀座

External Coolant  
外部出水

Gear Ratio 齒輪比	1:0.33	R.P.M. Max. 轉速最高	4,000 RPM	Rotation 轉向	
-------------------	--------	---------------------	-----------	----------------	--

- Tool Holder is produced in accordance with DIN 69880.
- Driven Coupling is according to DIN 5482.
- For left hand and right hand turret.
- 接合面依據 DIN 69880
- 傳動軸為 DIN 5482
- 同時適用於左手型刀塔及右手型刀塔



Unit : mm

Model No.	A	B	C	D	E	F	G	H	I	J	N	L	M	K	O	P	Q	N.W. (KG)
THB-J30.100-40CR0.33	100	131.5	B17*14	40	51	63	59.5	91	60.5	102.5	28.5	28	63	15.5	80	32	40	12.8
THB-J30.100-40LR0.33	100	131.5	B20*17	40	51	79	59.5	91	60.5	102.5	28.5	28	70	15.5	80	32	40	13

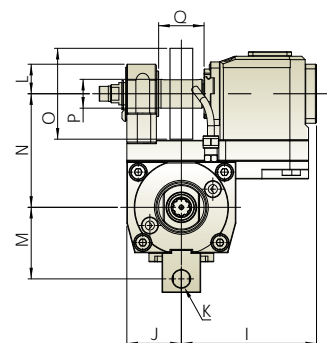
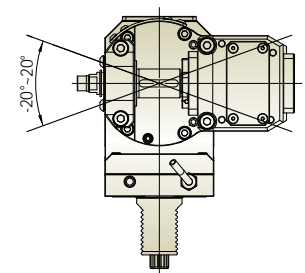
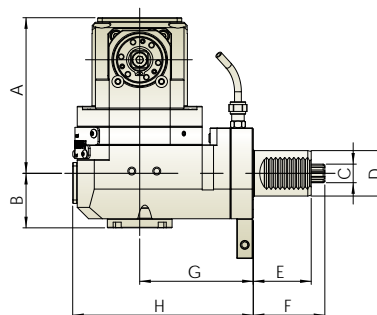
DIN 5482

## Radial Swivel Gear Hobber Tool Holder 徑向擺動滾齒動力刀座

External Coolant  
外部出水

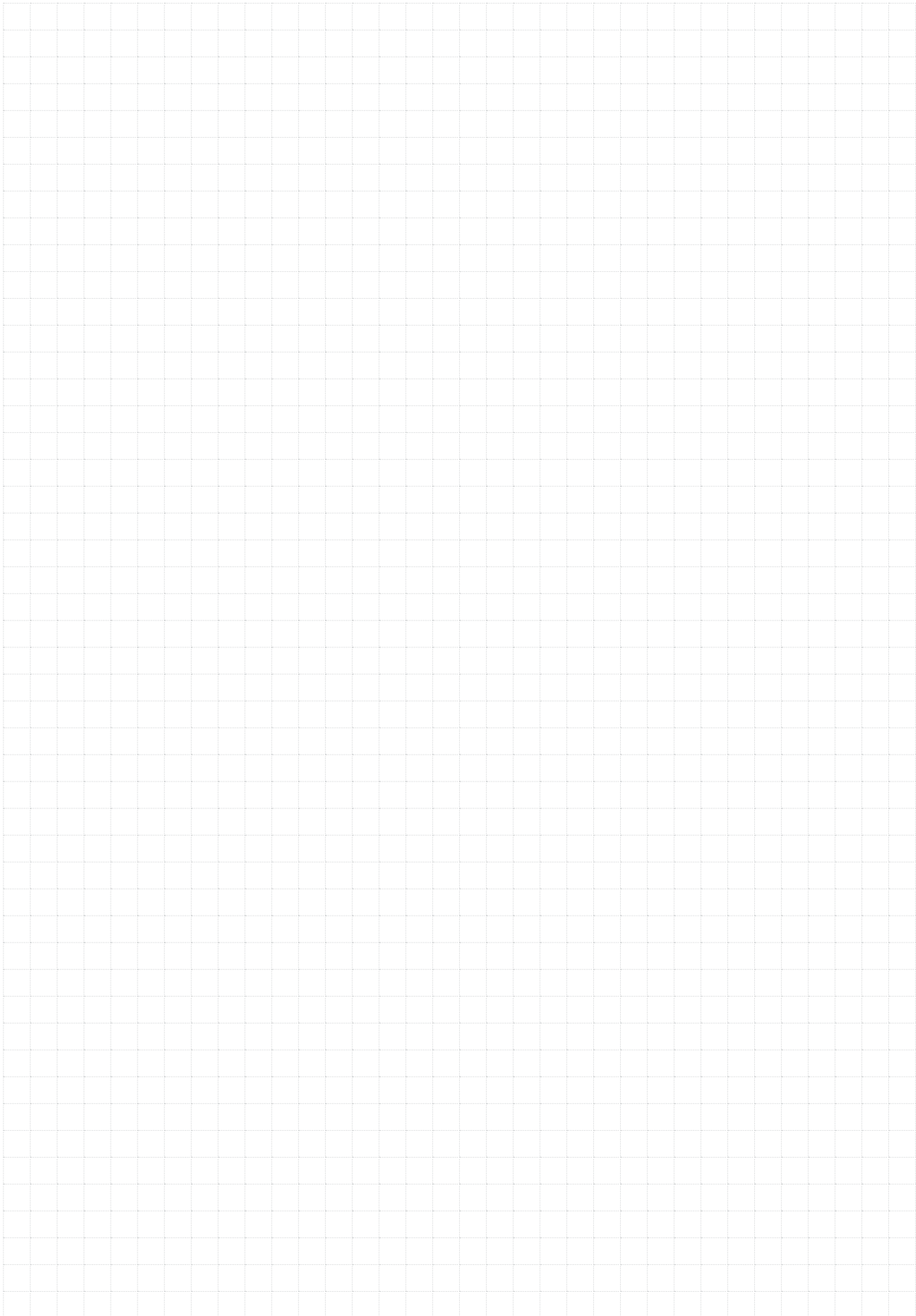
Gear Ratio 齒輪比	2.76:1	R.P.M. Max. 轉速最高	4,000 RPM	Rotation 轉向	
-------------------	--------	---------------------	-----------	----------------	--

- Tool Holder is produced in accordance with DIN 69880.
- Driven Coupling is according to DIN 5482.
- For left hand and right hand turret.
- Cutting angle can be set from +20 to -20 degree for various applications.
- Suitable for machining Spur Gear and Bevel Gear.
- 接合面依據 DIN 69880
- 傳動軸為 DIN 5482
- 同時適用於左手型刀塔及右手型刀塔
- 擺動角度 +20 至 -20 度
- 可使用於正/斜齒輪加工



Unit : mm

Model NO.	A	B	C	D	E	F	G	H	I	J	K	L	M	N	O	P	Q	N.W. (KG)
THB-T29.100-40C	137	48	B17*14	40	51	63	100	159	119	48	15.5	26	63	100	80	27	40	13.7

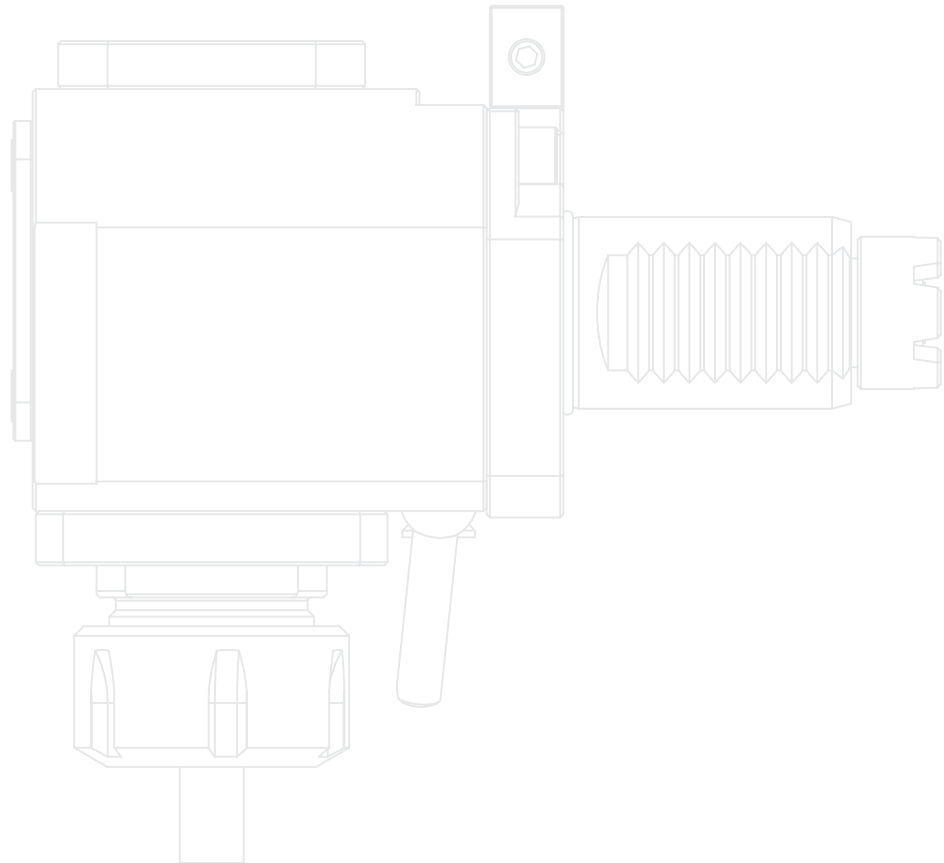


# VDI

車銑複合機刀座  
Driven & Static Tool Holder



## SPUR MT TOEM



# Driven & Static Tool Holder

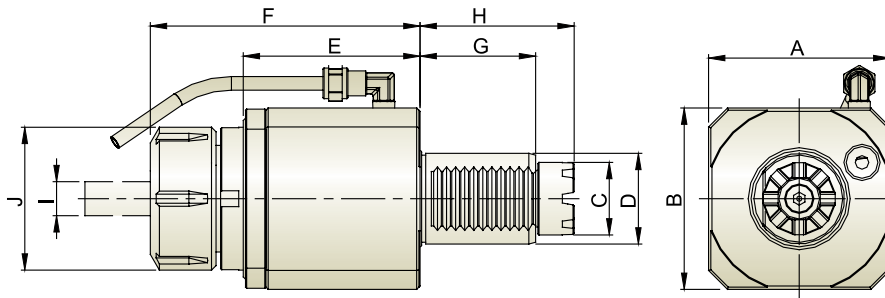


## Axial Tool Holder 軸向動力刀座

External Coolant  
外部出水

R.P.M. Max. 轉速最高 **6,000 RPM**
 Rotation 轉向 IN OUT

- Tool Holder is produced in accordance with DIN 69880.
- Driven Coupling is according to SPUR MT TOEM.
- ER Collet is according to DIN6499.
- For left hand and right hand turret.
- 接合面依據DIN 69880
- 傳動軸為SPUR MT TOEM
- 輸出軸筒夾為DIN6499
- 同時適用於左手型刀塔及右手型刀塔



Unit : mm

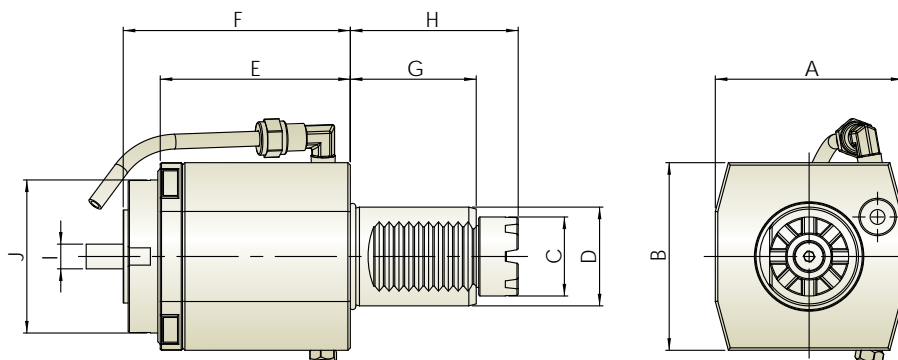
Model No.	A	B	C	D	E	F max	G	H	I	J	N.W.(KG)
THB-A04-30D	64	64	23.8	30	53	88.5	45	59	ER25 (2~16)	43	2
THB-A05-30D	64	64	23.8	30	53	91	45	59	ER32 (3~20)	50	2.1
THB-A05-40D	76	76	32	40	55	93	51	68	ER32 (3~20)	50	2.9
THB-A06-40D	76	76	32	40	74	123	51	68	ER40 (4~26)	63	3.9
THB-A06-50D	86	86	40	50	81	127.5	68	84	ER40 (4~26)	63	5.5
THB-A07-60D	104	104	53.2	60	110.5	155.5	78	100	ER50 (12~34)	78	10
THB-A07-80D	158	158	57	80	130	187	111	134	ER50 (12~34)	78	21

SPUR MT TOEM

## Axial Female Thread Tool Holder 軸向內牙動力刀座

External Coolant  
外部出水

R.P.M. Max. 轉速最高 **6,000 RPM**
 Rotation 轉向 IN OUT



Unit : mm

Model NO.	A	B	C	D	E	F max	G	H	I	J	N.W.(KG)
THB-A12-40D	76	76	32	40	77	92	51	68	ER32(3~20)	62	3.6

※ 內牙扳手為選購配件，詳細規格請見 P80。ER wrench is not included and its specification is shown on P80.

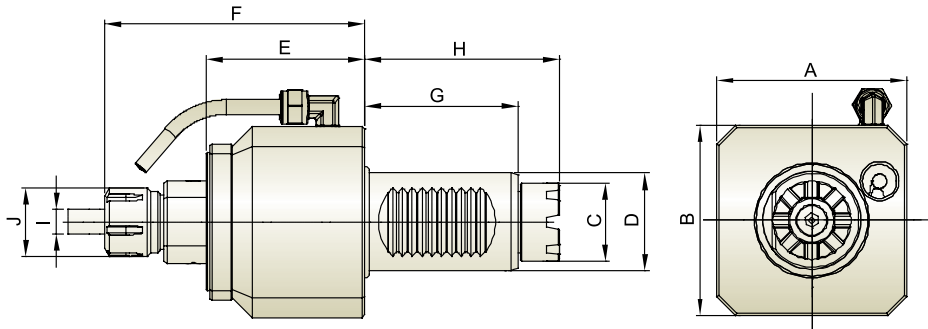
# Driven & Static Tool Holder



## Axial ER Tapping Tool Holder 軸向 ER 彈性攻牙動力刀座

External Coolant  
外部出水

R.P.M. Max. 轉速最高 **3,000 RPM**
 Rotation 轉向



Unit : mm

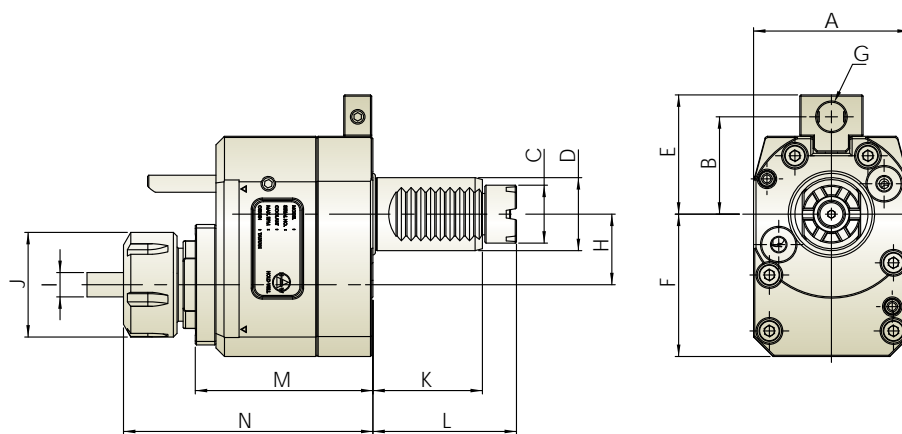
Model No.	A	B	C	D	E	F max	G	H	I	J	N.W.(KG)
THB-A15-40D	78	78	32	40	63	111.3	51	68	M3~M12	36	3.2

## Axial Offset Tool Holder 軸向偏心動力刀座

External Coolant  
外部出水

Gear Ratio 齒輪比 **1:1**
 R.P.M. Max. 轉速最高 **5,000 RPM**
 Rotation 轉向

- Tool Holder is produced in accordance with DIN 69880.
- Driven Coupling is according to SPUR MT TOEM.
- ER Collet is according to DIN6499.
- For left hand and right hand turret.
- 接合面依據DIN 69880
- 傳動軸為SPUR MT TOEM
- 輸出軸筒夾為DIN6499
- 同時適用於左手型刀塔及右手型刀塔



Unit : mm

Model NO.	A	B	C	D	E	F	G	H	I	J	K	L	M	N max	N.W.(KG)
THB-C04.29-30D	64	40	23.8	30	49	58.5	12	29	ER25(2~16)	43	45	59	73	102.5	3
THB-C05.50-40D	74	63	32	40	75	83	15.5	50	ER32(3~20)	50	51	68	81.5	121.5	5.8

SPUR MT TOEM

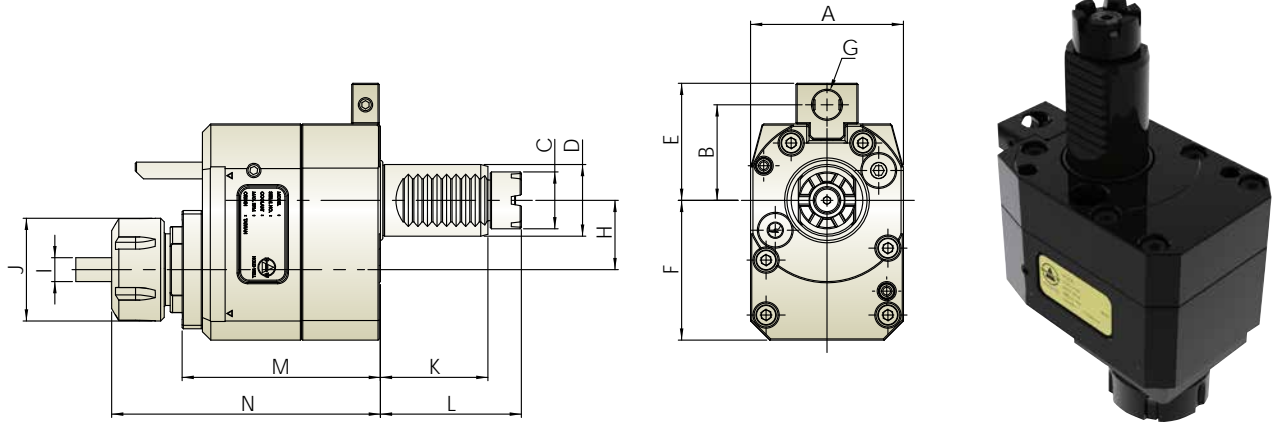
# Driven & Static Tool Holder



## Axial Offset Tool Holder 軸向偏心動力刀座

Internal Coolant  
中心出水

Gear Ratio 齒輪比 1:1
 R.P.M. Max. 轉速最高 5,000 RPM
 Internal Coolant 中心冷卻出水 30 bar
 Rotation 轉向
 IN OUT



Unit : mm

Model NO.	A	B	C	D	E	F	G	H	I	J	K	L	M	N max	N.W.(KG)
THB-C04.29-30DI	64	40	23.8	30	49	58.5	12	29	ER25(2~16)	43	45	59	83	112.5	3.4
THB-C05.50-40DI	80	70	32	40	82	85	15.5	50	ER32(3~20)	50	51	68	77	113.5	5.9

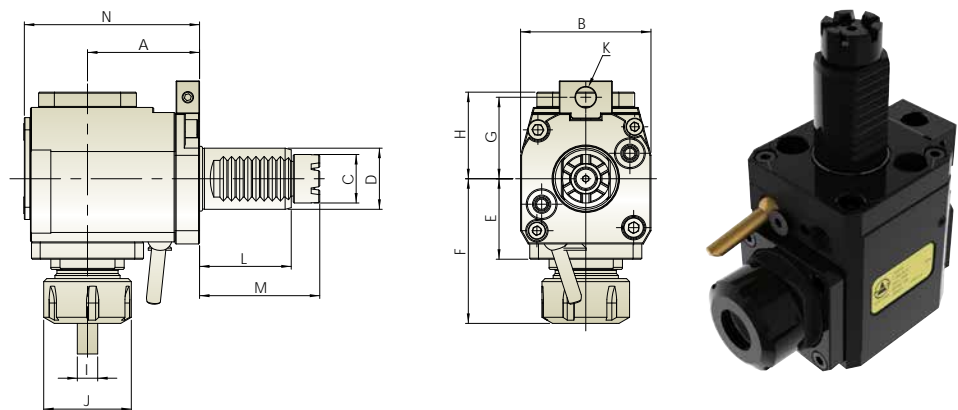
SPUR MT TOEM

## Radial Tool Holder 徑向動力刀座

External Coolant  
外部出水

Gear Ratio 齒輪比 1:1
 R.P.M. Max. 轉速最高 4,000 RPM
 Rotation 轉向
 IN OUT

- Tool Holder is produced in accordance with DIN 69880.
- Driven Coupling is according to SPUR MT TOEM.
- ER Collet is according to DIN6499.
- For left hand and right hand turret.
- 接合面依據DIN 69880
- 傳動軸為SPUR MT TOEM
- 輸出軸筒夾為DIN6499
- 同時適用於左手型刀塔及右手型刀塔



Unit : mm

Model No.	A	B	C	D	E	F max	G	H	I	J	K	L	M	N	N.W.(KG)
THB-B04.55-30D	55	64	23.8	30	39.5	71	40	42.5	ER25(2~16)	43	10	45	59	86	2.9
THB-B05.65-30D	65	64	23.8	30	47	78.5	40	46.5	ER32(3~20)	50	10	45	59	101	3.5
THB-B05.65-40D	65	76	32	40	46	84	63	48.5	ER32(3~20)	50	15.5	51	68	103	5.1
THB-B06.90-40D	90	80	32	40	56	105	63	62	ER40(4~26)	63	15.5	51	68	129	7.4
THB-B06.92-50D	92	86	40	50	59	105.5	70	62	ER40(4~26)	63	18	68	84	136	9

※ Further option : 6000 RPM 另有 6000RPM 可供選擇



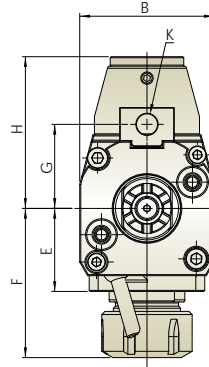
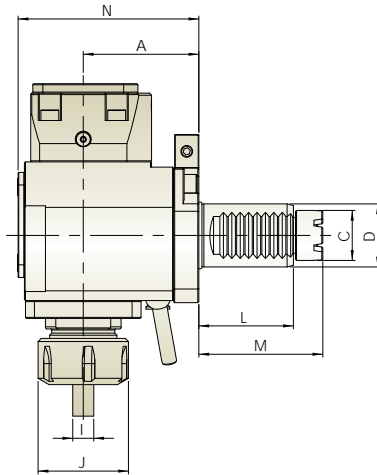
# Driven & Static Tool Holder



## Radial Tool Holder 徑向動力刀座

Internal Coolant  
中心出水

Gear Ratio 齒輪比 1:1
 R.P.M. Max. 轉速最高 4,000 RPM
 Internal Coolant 中心冷卻出水 30 bar
 Rotation 轉向
 IN OUT



Unit : mm

Model NO.	A	B	C	D	E	F max	G	H	I	J	K	L	M	N	N.W.(KG)
THB-B04.55-30DI	55	64	23.8	30	39.5	71	40	72.2	ER25(2~16)	43	10	45	59	86	3.4
THB-B05.65-30DI	65	64	23.8	30	47	78.5	40	76.2	ER32(3~20)	50	10	45	59	101	3.7
THB-B05.65-40DI	65	76	32	40	49	85	63	78.2	ER32(3~20)	50	15.5	51	68	101	5.3
THB-B06.90-40DI	90	80	32	40	56	105	63	90.2	ER40(4~26)	63	15.5	51	68	129	7.6
THB-B06.92-50DI	92	86	40	50	59	105.5	70	90.5	ER40(4~26)	63	18	68	84	136	9.3

※ Further option : 6000 RPM 另有 6000RPM 可供選擇

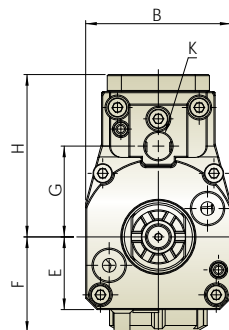
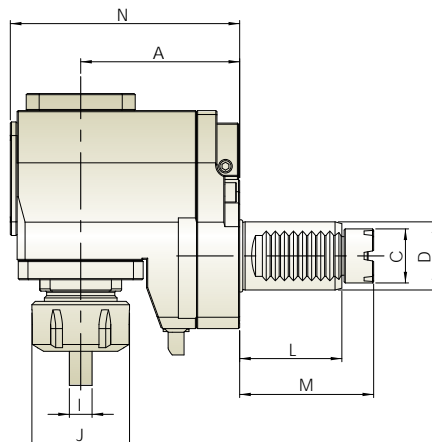
SPUR MT TOEM

## Radial Offset Tool Holder 徑向後縮動力刀座

External Coolant  
外部出水

Gear Ratio 齒輪比 1:1
 R.P.M. Max. 轉速最高 4,000 RPM
 Rotation 轉向
 IN OUT

- Tool Holder is produced in accordance with DIN 69880.
- Driven Coupling is according to SPUR MT TOEM.
- ER Collet is according to DIN6499.
- For left hand and right hand turret.
- 接合面依據DIN 69880
- 傳動軸為SPUR MT TOEM
- 輸出軸筒夾為DIN6499
- 同時適用於左手型刀塔及右手型刀塔



Unit : mm

Model No.	A	B	C	D	E	F max	G	H	I	J	K	L	M	N	N.W.(KG)
THB-D04.70-30D	70	64	23.8	30	32	42	40	71.5	ER25(2~16)	43	12	45	59	101	3.4
THB-D05.90-40D	90	80	32	40	38	35	63	98.5	ER32(3~20)	50	15.5	51	68	129.5	7.4
THB-D07.102-60D	102	104	53.2	60	54	75.5	85	116	ER50(12~34)	78	16	78	100	151	15.4

※ Further option : 6000 RPM 另有 6000RPM 可供選擇

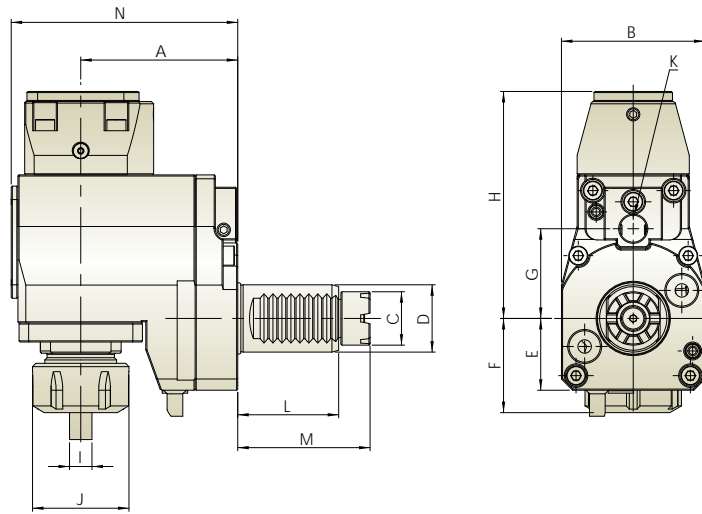
# Driven & Static Tool Holder



## Radial Offset Tool Holder 徑向後縮動力刀座

Internal Coolant  
中心出水

Gear Ratio 齒輪比 1:1
 R.P.M. Max. 轉速最高 4,000 RPM
 Internal Coolant 中心冷卻出水 30 bar
 Rotation 轉向
 IN OUT



Unit : mm

Model No.	A	B	C	D	E	F max	G	H	I	J	K	L	M	N	N.W.(KG)
THB-D04.70-30DI	70	64	23.8	30	32	42	40	101.2	ER25 (2~16)	43	12	45	59	101	3.9
THB-D05.90-40DI	90	80	32	40	38	35	63	128.2	ER32 (3~20)	50	15.5	51	68	129.5	7.9
THB-D07.102-60DI	102	104	53.2	60	54	75.5	85	138	ER50 (12~34)	78	16	78	110	151	15.4

※ Further option : 6000 RPM 另有 6000RPM 可供選擇

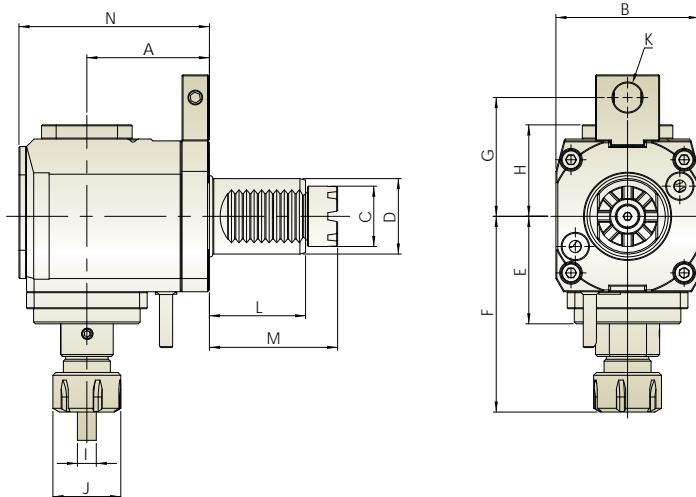
SPUR MT TOEM

## Radial ER Tapping Tool Holder 徑向 ER 彈性攻牙動力刀座

External Coolant  
外部出水

Gear Ratio 齒輪比 1:1
 R.P.M. Max. 轉速最高 3,000 RPM
 Rotation 轉向
 IN OUT

- Tool Holder is produced in accordance with DIN 69880.
- Driven Coupling is according to SPUR MT TOEM.
- ER Collet is according to DIN6499.
- For left hand and right hand turret.
- 接合面依據DIN 69880
- 傳動軸為SPUR MT TOEM
- 輸出軸筒夾為DIN6499
- 同時適用於左手型刀塔及右手型刀塔



Unit : mm

Model No.	A	B	C	D	E	F max	G	H	I	J	K	L	M	N	N.W.(KG)
THB-B15.65-40D	65	76	32	40	57	103.8	63	48.5	M3~M12	36	15.5	51	68	101	4.9

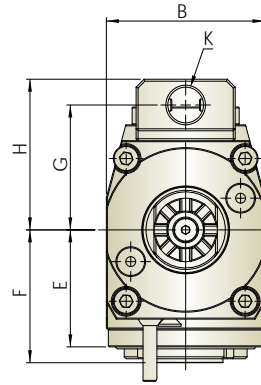
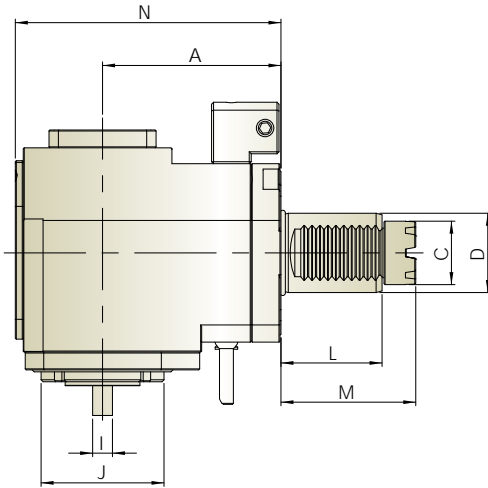
# Driven & Static Tool Holder



## Radial Female Thread Tool Holder 徑向內牙動力刀座

External Coolant  
外部出水

Gear Ratio 齒輪比 1:1
 R.P.M. Max. 轉速最高 4,000 RPM
 Rotation 轉向



Unit : mm

Model NO.	A	B	C	D	E	F	G	H	I	J	K	L	M	N	N.W.(KG)
THB-B12.90-40D	90	80	32	40	59	67	63	62	ER32(3~20)	62	18	51	68	134	7.2

※ 內牙扳手為選購配件，詳細規格請見 P80。ER wrench is not included and its specification is shown on P80.

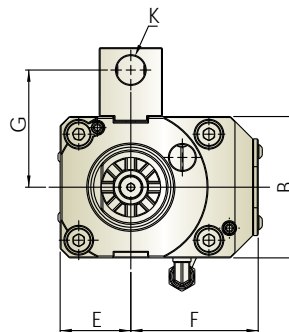
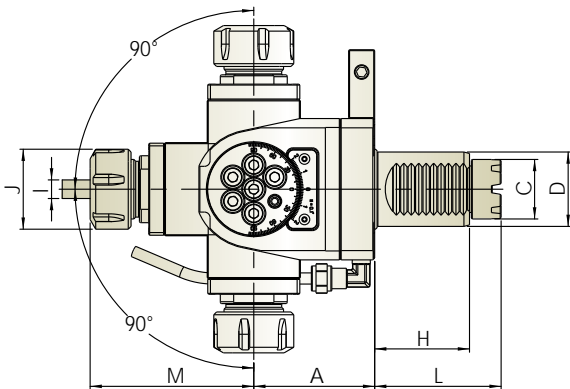
SPUR MTT OEM

## Angle Adjustable Tool Holder 萬向動力刀座

External Coolant  
外部出水

Gear Ratio 齒輪比 1:1
 R.P.M. Max. 轉速最高 4,000 RPM
 Rotation 轉向

- Cutting angle can be set from +90 to -90 degree for various applications.
- 擺動角度+90 度至-90 度



Unit : mm

Model NO.	A	B	C	D	E	F	G	H	I	J	K	L	M max	N.W.(KG)
THB-E04.65-40D	65	76	32	40	38	68.5	63	51	ER25(2~16)	43	15.5	68	88	5.2

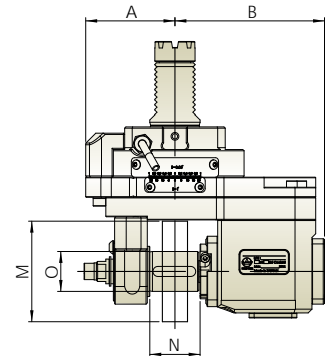
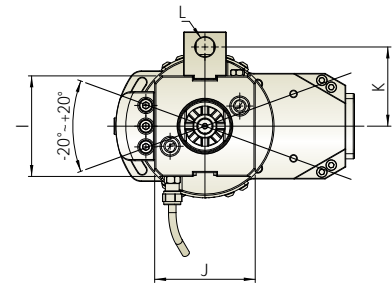
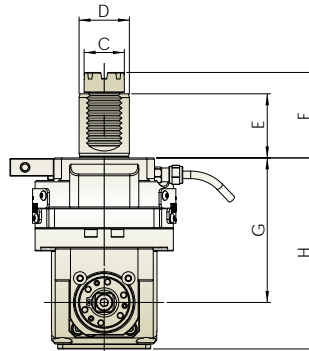
# Driven & Static Tool Holder



## Axial Swivel Gear Hobber Tool Holder 軸向滾齒動力刀座

External Coolant  
外部出水

Gear Ratio 齒輪比 1.8:1
 R.P.M. Max. 轉速最高 4,000 RPM
 Rotation 轉向
 IN OUT



Unit : mm

Model NO.	A	B	C	D	E	F	G	H	I	J	K	L	M	N	O	N.W.(KG)
THB-R29.115-40D	71	119	32	40	51	68	115	152	80	80	63	15.5	80	40	27	10.3

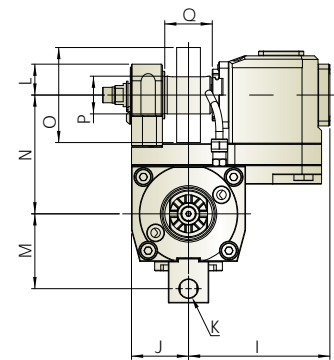
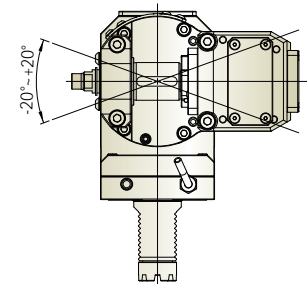
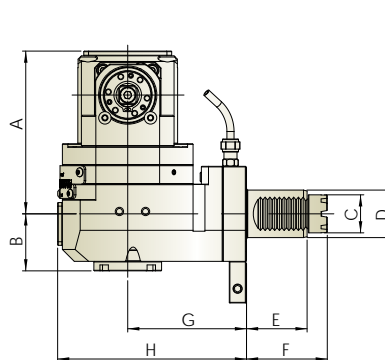
SPUR MT TOEM

## Radial Swivel Gear Hobber Tool Holder 徑向擺動滾齒動力刀座

External Coolant  
外部出水

Gear Ratio 齒輪比 2.76:1
 R.P.M. Max. 轉速最高 4,000 RPM
 Rotation 轉向
 IN OUT

- Tool Holder is produced in accordance with DIN 69880.
- Driven Coupling is according to SPUR MT TOEM.
- For left hand and right hand turret.
- Cutting angle can be set from +20 to -20 degree for various applications.
- Suitable for machining Spur Gear and Bevel Gear.
- 接合面依據DIN 69880
- 傳動軸為SPUR MT TOEM
- 同時適用於左手型刀塔及右手型刀塔
- 擺動角度+20 至-20 度
- 可完成正/ 斜齒輪加工



Unit : mm





Model NO.	A	B	C	D	E	F	G	H	I	J	K	L	M	N	O	P	Q	N.W.(KG)
THB-T29.100-40D	137	48	32	40	51	68	100	159	119	48	15.5	26	63	100	80	27	40	13.9
THB-T29.100-50D	137	48	40	50	68	84	100	159	119	48	18	26	70	100	80	27	40	14.6

# Driven & Static Tool Holder

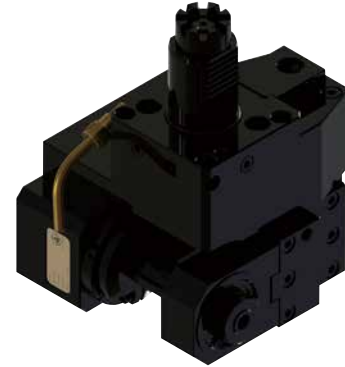
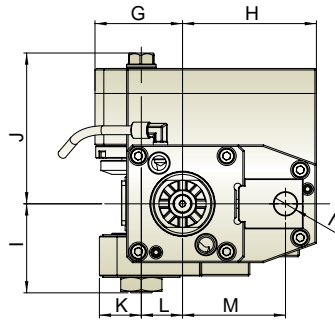
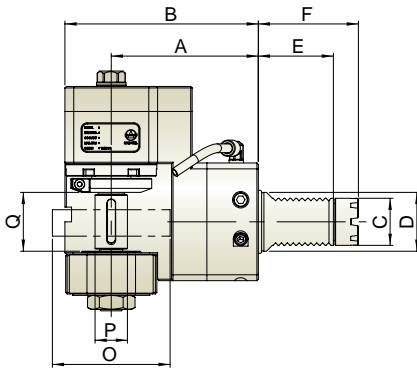


## Radial Side Cutting Tool Holder 徑向內側銑動力刀座

External Coolant  
外部出水

 Gear Ratio 齒輪比	1:0.33	 R.P.M. Max. 轉速最高	4,000 RPM	 Rotation 轉向	
---	--------	---	-----------	--	--

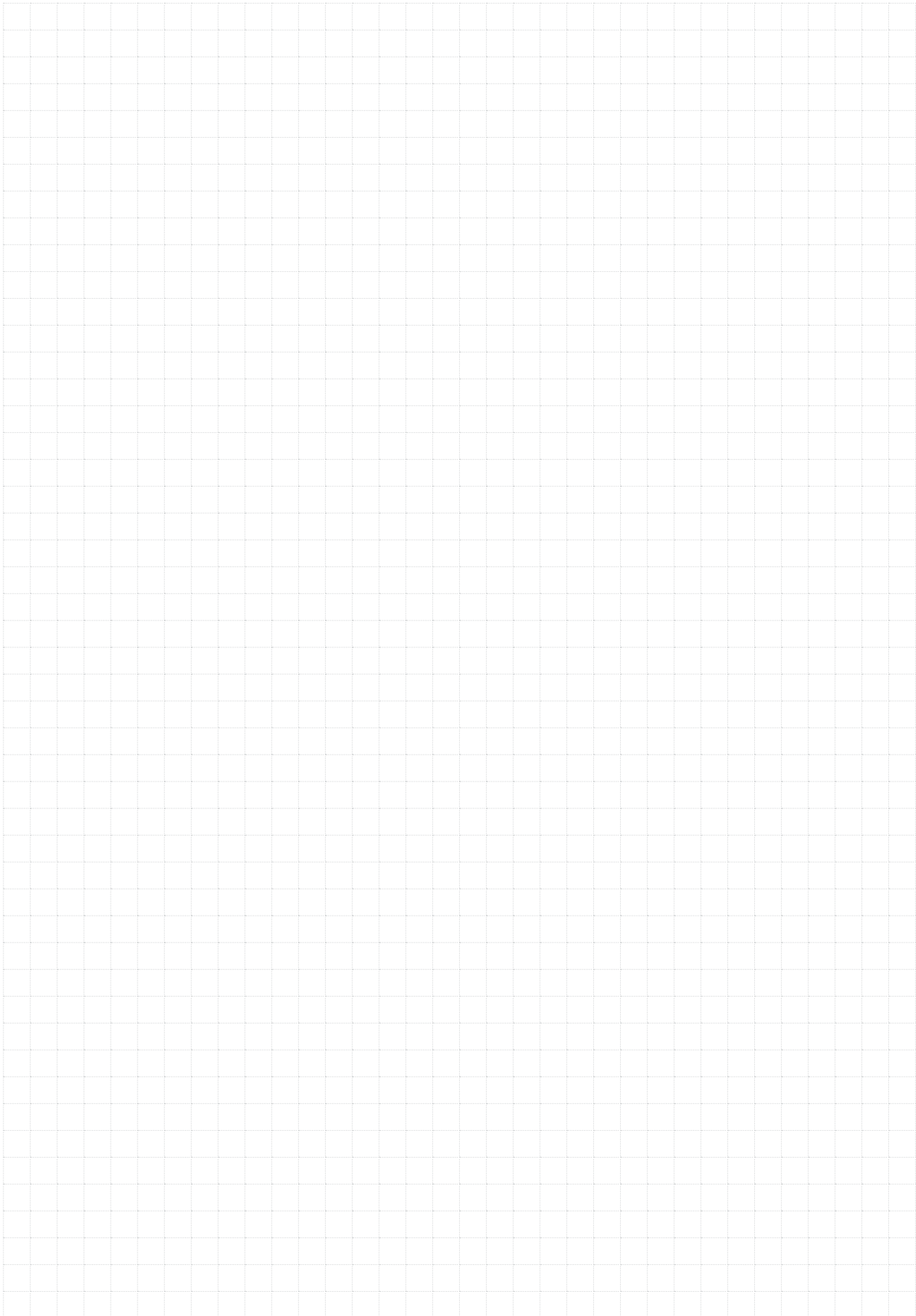
- Tool Holder is produced in accordance with DIN 69880.
- Driven Coupling is according to SPUR MT TOEM.
- For left hand and right hand turret.
- 接合面依據DIN 69880
- 傳動軸為SPUR MT TOEM
- 同時適用於左手型刀塔及右手型刀塔



Unit : mm

Model No.	A	B	C	D	E	F	G	H	I	J	K	L	M	N	O	P	Q	N.W.(KG)
THB-J30.100-40DR0.33	100	131.5	32	40	51	68	59.5	91	60.5	102.5	28.5	28	70	15.5	80	32	40	12.8

SPUR MT TOEM

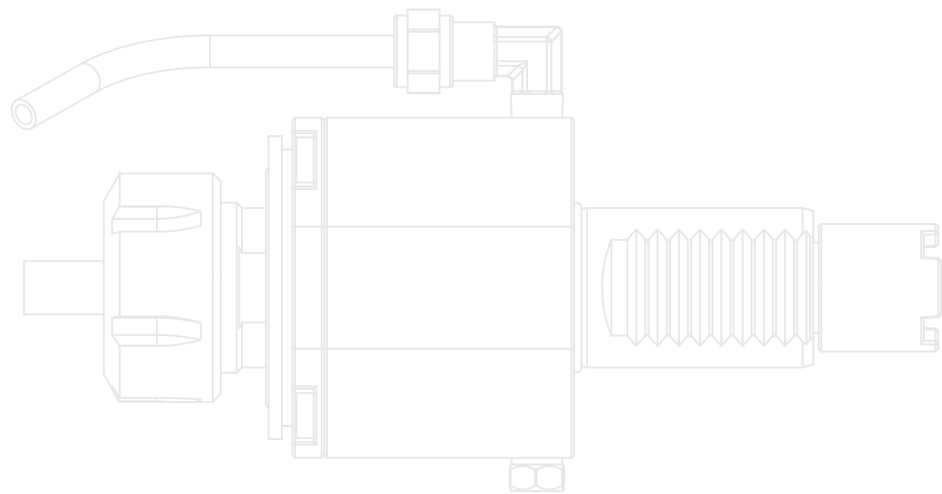


# VDI

車銑複合機刀座  
Driven & Static Tool Holder



## OKUMA



# Driven & Static Tool Holder

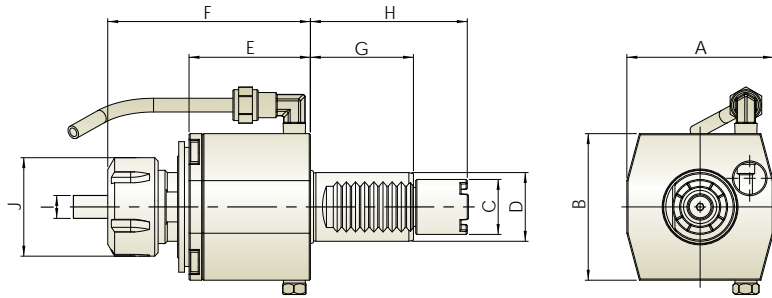


## Axial Tool Holder 軸向動力刀座

External Coolant  
外部出水

R.P.M. Max. 轉速最高 **6,000 RPM**
 Rotation 轉向 IN OUT

- Tool Holder is produced in accordance with DIN 69880.
- Driven Coupling is according OKUMA VDI.
- ER Collet is according to DIN 6499.
- For left hand and right hand turret.
- 接合面依據DIN 69880
- 傳動軸為 OKUMA VDI
- 輸出軸筒夾為DIN 6499
- 同時適用於左手型刀塔及右手型刀塔



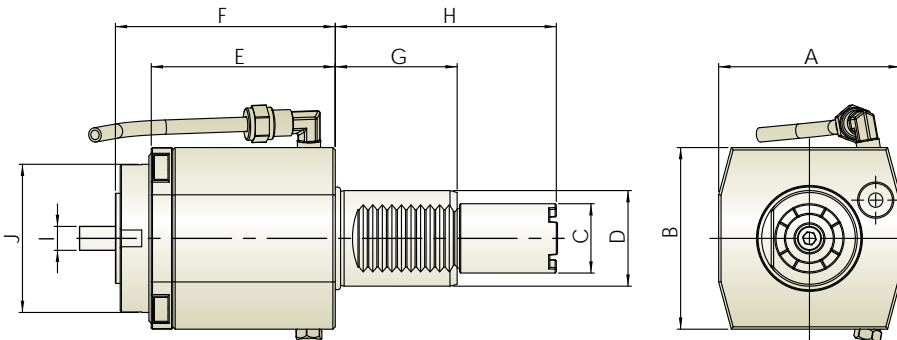
Unit : mm

Model NO.	A	B	C	D	E	F max	G	H	I	J	N.W.(KG)
THB-A04-30J	64	64	24	30	53	88.5	45	69	ER25(2~16)	43	2.1
THB-A05-30J	64	64	24	30	53	91	45	69	ER32(3~20)	50	2.1
THB-A05-40J	76	76	29	40	55	93	51	93	ER32(3~20)	50	2.9
THB-A05-40K	76	76	29	40	55	93	51	101	ER32(3~20)	50	2.9
THB-A06-40J	76	76	29	40	74	123	51	93	ER40(4~26)	63	4
THB-A06-40K	76	76	29	40	74	123	51	101	ER40(4~26)	63	4

## Axial Female Thread Tool Holder 軸向內牙動力刀座

External Coolant  
外部出水

R.P.M. Max. 轉速最高 **6,000 RPM**
 Rotation 轉向 IN OUT



Unit : mm

Model NO.	A	B	C	D	E	F max	G	H	I	J	N.W.(KG)
THB-A12-40J	76	76	29	40	77	92	51	93	ER32(3~20)	62	3.7
THB-A12-40K	76	76	29	40	77	92	51	101	ER32(3~20)	62	3.7

※ 內牙扳手為選購配件，詳細規格請見 P80。ER wrench is not included and its specification is shown on P80.



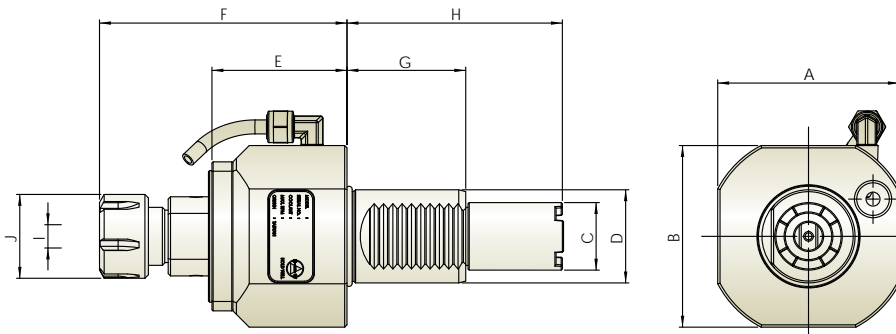
# Driven & Static Tool Holder



## Axial ER Tapping Tool Holder 軸向彈性攻牙動力刀座

External Coolant  
外部出水

R.P.M. Max. 轉速最高 **6,000 RPM**
 Rotation 轉向 IN OUT



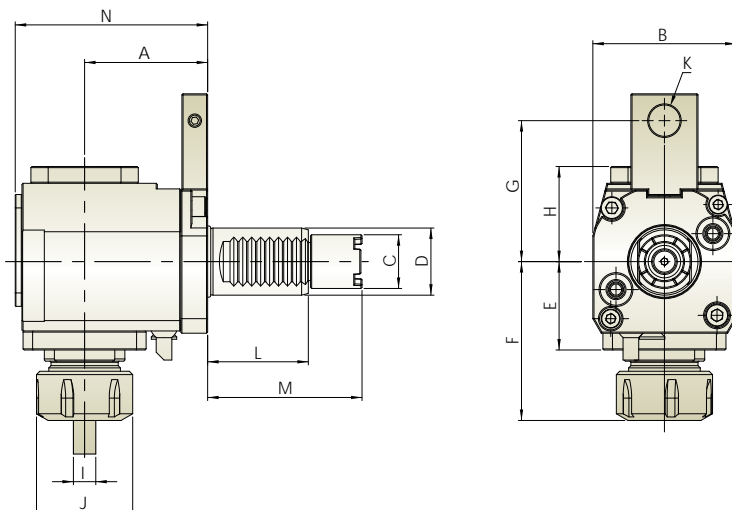
Unit : mm

Model NO.	A	B	C	D	E	F max	G	H	I	J	N.W.(KG)
THB-A15-40J	78	78	29	40	58	106.3	51	93	M3~M12	36	3.2
THB-A15-40K	78	78	29	40	58	106.3	51	101	M3~M12	36	3.2

## Radial Tool Holder 徑向動力刀座

External Coolant  
外部出水

Gear Ratio 齒輪比 **1 : 1**
 R.P.M. Max. 轉速最高 **4,000 RPM**
 Rotation 轉向 IN OUT



Unit : mm

Model No.	A	B	C	D	E	F max	G	H	I	J	K	L	M	N	N.W.(KG)
THB-B04.55-30J	55	64	24	30	39.5	71	63	42.5	ER25(2~16)	43	14	45	69	86	3
THB-B05.65-40J	65	76	29	40	46	84	70	48.5	ER32(3~20)	50	18	51	93	103	5.2
THB-B05.65-40K	65	76	29	40	46	84	70	48.5	ER32(3~20)	50	18	51	101	103	5.2
THB-B06.90-40J	90	80	29	40	56	105	70	62	ER40(4~26)	63	15.5	51	93	129	7.6
THB-B06.90-40K	90	80	29	40	56	105	70	62	ER40(4~26)	63	15.5	51	101	129	7.6

※ Further option: 6000RPM 另有 6000RPM 可供選擇

OKUMA

# Driven & Static Tool Holder

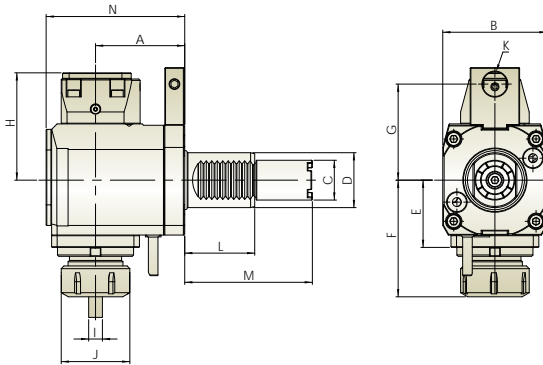


## Radial Tool Holder 徑向動力刀座

Internal Coolant  
中心出水

Gear Ratio 齒輪比 1:1
 R.P.M. Max. 轉速最高 4,000 RPM
 Internal Coolant 中心冷卻出水 30 bar
 Rotation 轉向
 IN OUT

- Tool Holder is produced in accordance with DIN 69880.
- Driven Coupling is according to OKUMA VDI.
- ER Collet is according to DIN 6499.
- For left hand and right hand turret.
- 接合面依據DIN 69880
- 傳動軸為 OKUMA VDI
- 輸出軸筒夾為DIN 6499
- 同時適用於左手型刀塔及右手型刀塔



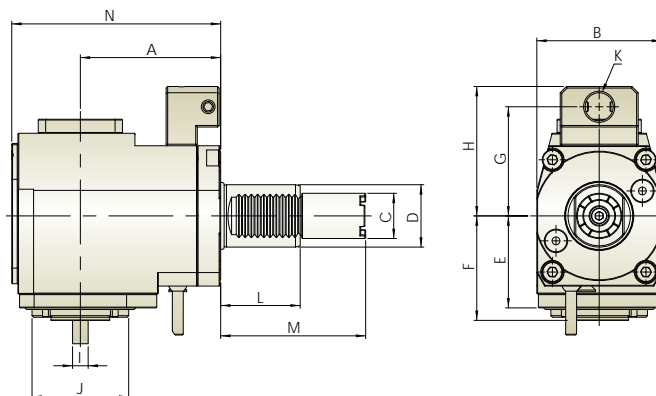
Unit : mm

Model NO.	A	B	C	D	E	F max	G	H	I	J	K	L	M	N	N.W.(KG)
THB-B04.55-30JI	55	64	24	30	39.5	71	63	72.2	ER25(2~16)	43	14	45	69	86	2.9
THB-B05.65-30JI	65	64	24	30	47	83	63	80.2	ER32(3~20)	50	14	45	69	101	4.1
THB-B05.65-40JI	65	76	29	40	49	85	70	78.2	ER32(3~20)	50	18	51	93	101	5.5
THB-B05.65-40KI	65	76	29	40	49	85	70	78.2	ER32(3~20)	50	18	51	101	101	5.5
THB-B06.90-40JI	90	80	29	40	56	105	70	90.5	ER40(4~26)	63	15.5	51	93	129	8
THB-B06.90-40KI	90	80	29	40	56	105	70	90.5	ER40(4~26)	63	15.5	51	101	129	8

## Radial Female Thread Tool Holder 徑向內牙動力刀座

External Coolant  
外部出水

Gear Ratio 齒輪比 1:1
 R.P.M. Max. 轉速最高 4,000 RPM
 Rotation 轉向
 IN OUT



Unit : mm

Model NO.	A	B	C	D	E	F	G	H	I	J	K	L	M	N	N.W.(KG)
THB-B12.90-40J	90	80	29	40	59	67	70	83	ER32(3~20)	62	18	51	93	134	7.2
THB-B12.90-40K	90	80	29	40	59	67	70	83	ER32(3~20)	62	18	51	101	134	7.2

※ 內牙扳手為選購配件，詳細規格請見 P80。ER wrench is not included and its specification is shown on P80.

# Driven & Static Tool Holder

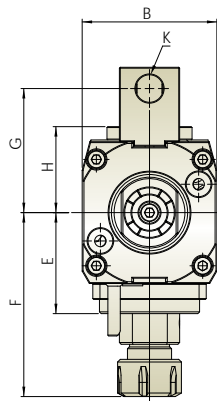
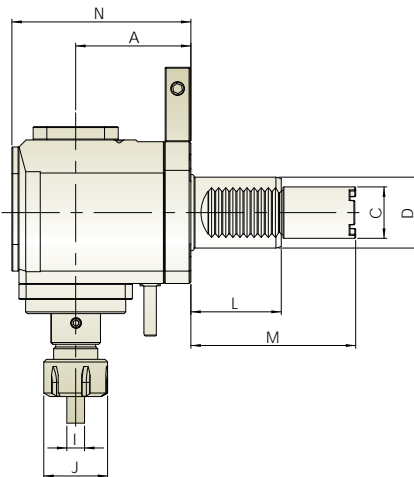


## Radial ER Tapping Tool Holder 徑向 ER 彈性攻牙動力刀座

External Coolant  
外部出水

Gear Ratio 齒輪比 1:1
 R.P.M. Max. 轉速最高 4,000 RPM
 Rotation 轉向
 IN OUT

- Tool Holder is produced in accordance with DIN 69880.
- Driven Coupling is according to OKUMA VDI.
- ER Collet is according to DIN 6499.
- For left hand and right hand turret.
- 接合面依據 DIN 69880
- 傳動軸為 OKUMA VDI
- 輸出軸筒夾為 DIN 6499
- 同時適用於左手型刀塔及右手型刀塔



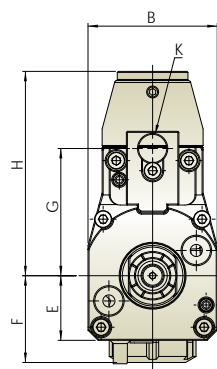
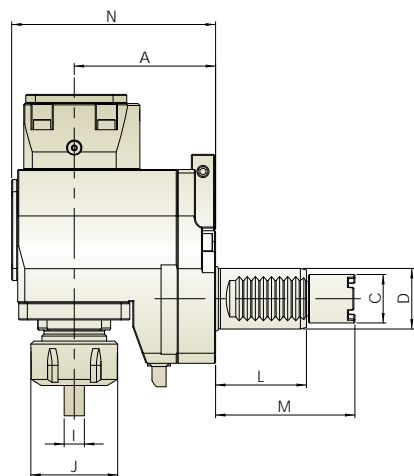
Unit : mm

Model NO.	A	B	C	D	E	F max	G	H	I	J	K	L	M	N	N.W.(KG)
THB-B15.65-40J	65	76	29	40	57	103.8	70	48.5	M3~M12	36	15.5	51	93	101	5.1
THB-B15.65-40K	65	76	29	40	57	103.8	70	48.5	M3~M12	36	15.5	51	101	101	5.1

## Radial Offset Tool Holder 徑向後縮動力刀座

External Coolant  
外部出水

Gear Ratio 齒輪比 1:1
 R.P.M. Max. 轉速最高 4,000 RPM
 Rotation 轉向
 IN OUT



Unit : mm

Model No.	A	B	C	D	E	F max	G	H	I	J	K	L	M	N	N.W.(KG)
THB-D04.70-30J	70	64	24	30	32	42	63	71.5	ER25(2~16)	43	14	45	69	101	3.6
THB-D05.90-40J	90	80	29	40	38	35	70	98.5	ER32(3~20)	50	18	51	93	129.5	7.5
THB-D05.90-40K	90	80	29	40	38	35	70	98.5	ER32(3~20)	50	18	51	101	129.5	7.5

※ Further option: 6000RPM 另有 6000RPM 可供選擇

OKUMA

# Driven & Static Tool Holder

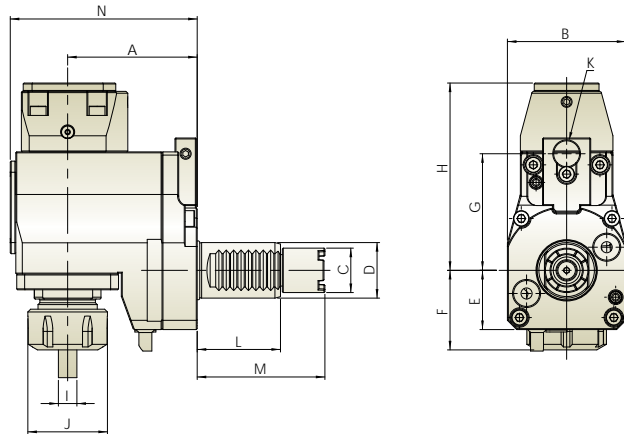


## Radial Offset Tool Holder 徑向後縮動力刀座

Internal Coolant  
中心出水

Gear Ratio 齒輪比	1:1	R.P.M. Max. 轉速最高	4,000 RPM	Internal Coolant 中心冷卻出水	30 bar	Rotation 轉向	
-------------------	-----	---------------------	-----------	----------------------------	--------	----------------	--

- Tool Holder is produced in accordance with DIN 69880.
- Driven Coupling is according to OKUMA VDI.
- ER Collet is according to DIN 6499.
- For left hand and right hand turret.
- 接合面依據DIN 69880
- 傳動軸為 OKUMA VDI
- 輸出軸筒夾為DIN 6499
- 同時適用於左手型刀塔及右手型刀塔



Unit : mm

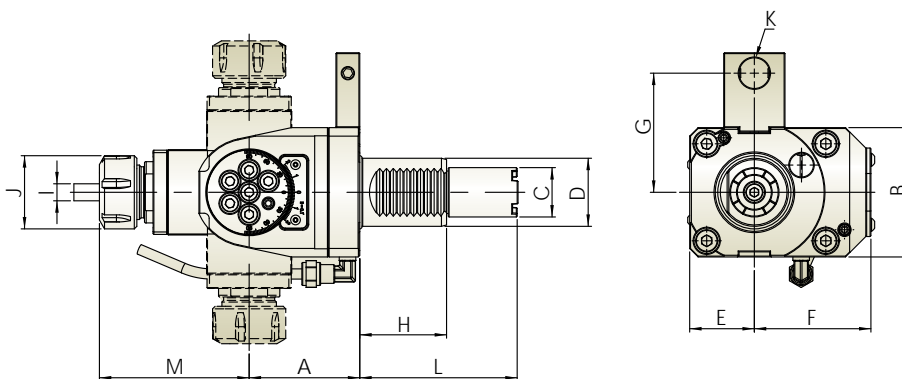
Model NO.	A	B	C	D	E	F max	G	H	I	J	K	L	M	N	N.W.(KG)
THB-D05.90-40JI	90	80	29	40	38	35	70	128.2	ER32(3~20)	50	18	51	93	129.5	7.9
THB-D05.90-40KI	90	80	29	40	38	35	70	128.2	ER32(3~20)	50	18	51	101	129.5	7.9

## Angle Adjustable Tool Holder 萬向動力刀座

External Coolant  
外部出水

Gear Ratio 齒輪比	1:1	R.P.M. Max. 轉速最高	4,000 RPM	Rotation 轉向	
-------------------	-----	---------------------	-----------	----------------	--

- Tool Holder is produced in accordance with DIN 69880.
- Driven Coupling is according to OKUMA VDI.
- ER Collet is according to DIN 6499.
- For left hand and right hand turret.
- Cutting angle can be set from +90 to -90 degree for various applications.
- 接合面依據DIN 69880
- 傳動軸為OKUMA VDI
- 輸出軸筒夾為DIN 6499
- 同時適用於左手型刀塔及右手型刀
- 擺動角度+90度至-90度



Unit : mm

Model NO.	A	B	C	D	E	F	G	H	I	J	K	L	M max	N.W.(KG)
THB-E04.65-40J	65	76	29	40	38	68.5	70	51	ER25(2~16)	43	18	93	88	5.2
THB-E04.65-40K	65	76	29	40	38	68.5	70	51	ER25(2~16)	43	18	101	88	5.2

# Driven & Static Tool Holder

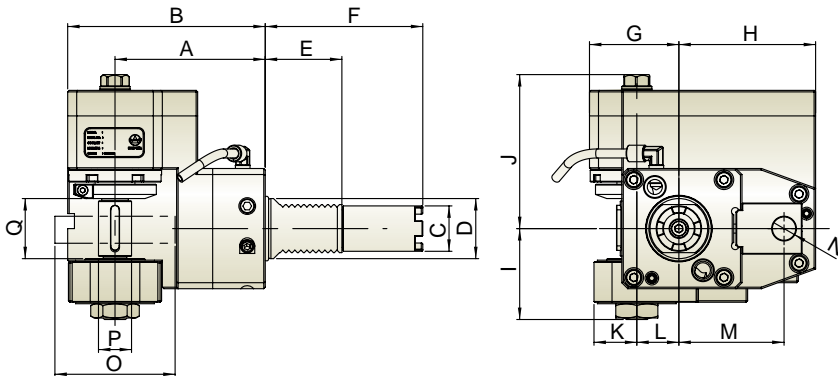


## Radial Side Cutting Tool Holder 徑向內側銑動力刀座

External Coolant  
外部出水

Gear Ratio 齒輪比 1 : 0.33
 R.P.M. Max. 轉速最高 4,000 RPM
 Rotation 轉向

- Tool Holder is produced in accordance with DIN 69880.
- Driven Coupling is according to OKUMA VDI.
- For left hand and right hand turret.
- 接合面依據DIN 69880
- 傳動軸為 OKUMA VDI
- 同時適用於左手型刀塔及右手型刀塔



Unit : mm

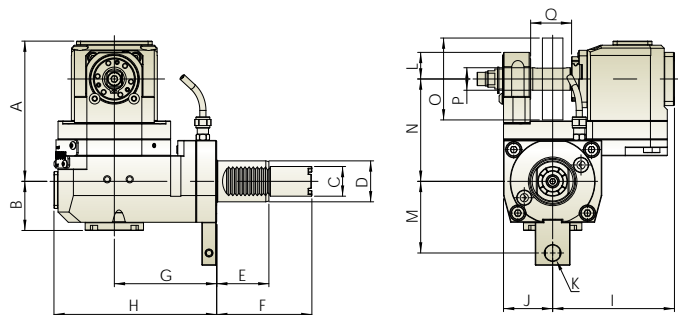
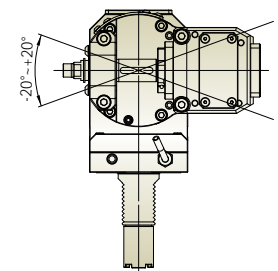
Model No.	A	B	C	D	E	F max	G	H	I	J	K	L	M	N	O	P	Q	N.W.(KG)
THB-J30.100-40JR0.33	100	131.5	32	40	51	93	59.5	91	60.5	102.5	28.5	28	70	18	80	32	40	12.9
THB-J30.100-40KR0.33	100	131.5	32	40	51	101	59.5	91	60.5	102.5	28.5	28	70	18	80	32	40	12.9

## Radial Swivel Gear Hobber Tool Holder 徑向擺動滾齒動力刀座

External Coolant  
外部出水

Gear Ratio 齒輪比 1 : 0.33
 R.P.M. Max. 轉速最高 4,000 RPM
 Rotation 轉向

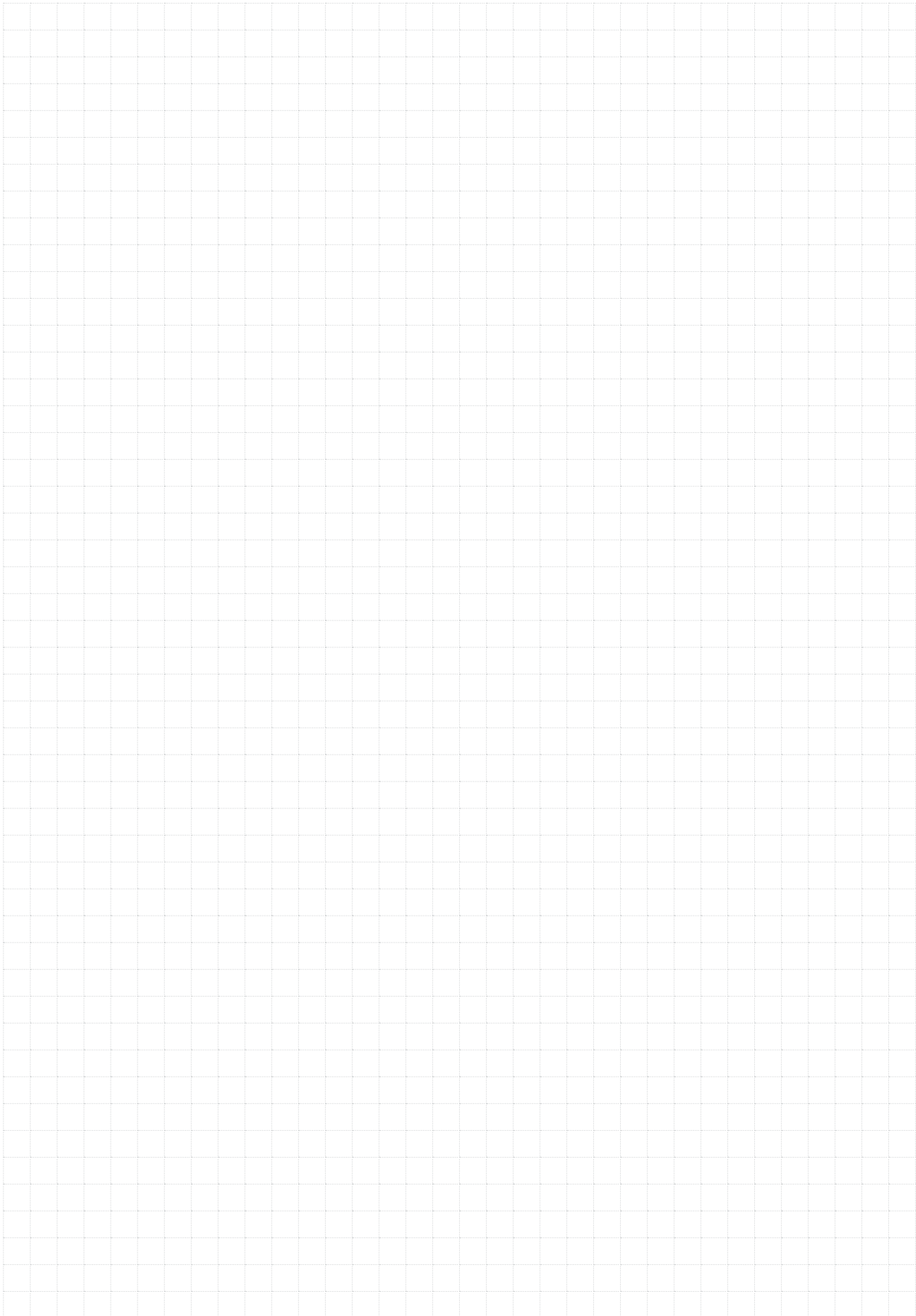
- Tool Holder is produced in accordance with DIN 69880.
- Driven Coupling is according to OKUMA VDI
- For left hand and right hand turret.
- Cutting angle can be set from +20 to -20 degree for various applications.
- Suitable for machining Spur Gear and Bevel Gear.
- 接合面依據DIN 69880
- 傳動軸為OKUMA VDI
- 同時適用於左手型刀塔及右手型刀塔
- 擺動角度+20 至-20 度
- 可使用於正/斜齒輪加工



Unit : mm

Model NO.	A	B	C	D	E	F	G	H	I	J	K	L	M	N	O	P	Q	N.W.(KG)
THB-T29.100-40J	137	48	29	40	51	93	100	159	119	48	15.5	26	70	100	80	27	40	14
THB-T29.100-40K	137	48	29	40	51	101	100	159	119	48	15.5	26	70	100	80	27	40	14

OKUMA

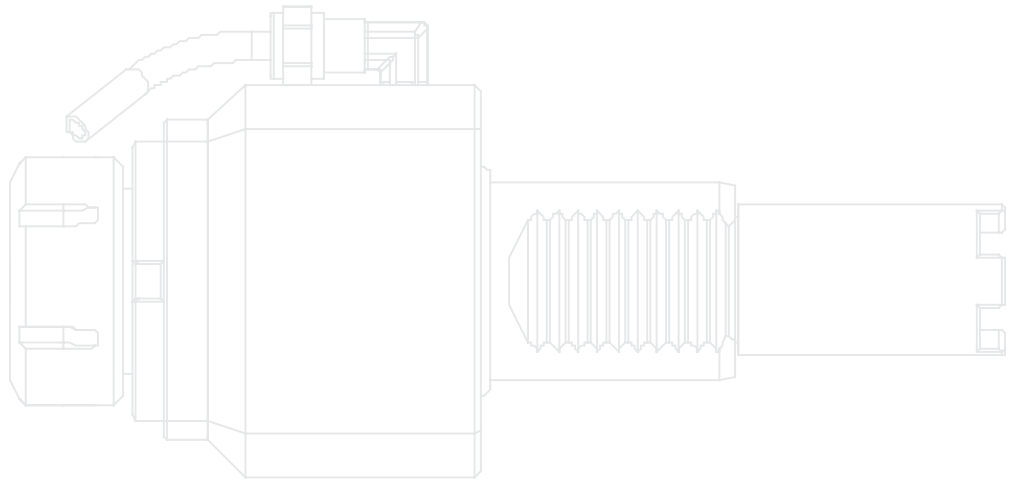


# VDI

車銑複合機刀座  
Driven & Static Tool Holder



## HAAS



# Driven & Static Tool Holder

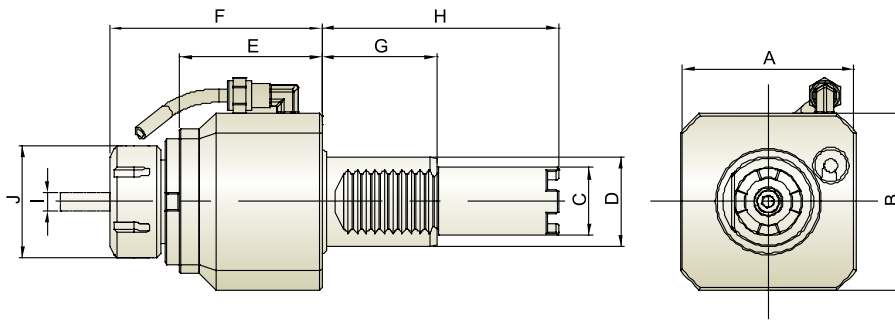


## Axial Tool Holder 軸向動力刀座

External Coolant  
外部出水

R.P.M. Max. 轉速最高 **6,000 RPM**
 Rotation 轉向 IN OUT

- Tool Holder is produced in accordance with DIN 69880.
- Driven Coupling is according to HAAS.
- ER Collet is according to DIN 6499.
- For left hand and right hand turret.
- 接合面依據DIN 69880
- 傳動軸為HAAS
- 輸出軸筒夾為DIN 6499
- 同時適用於左手型刀塔及右手型刀塔



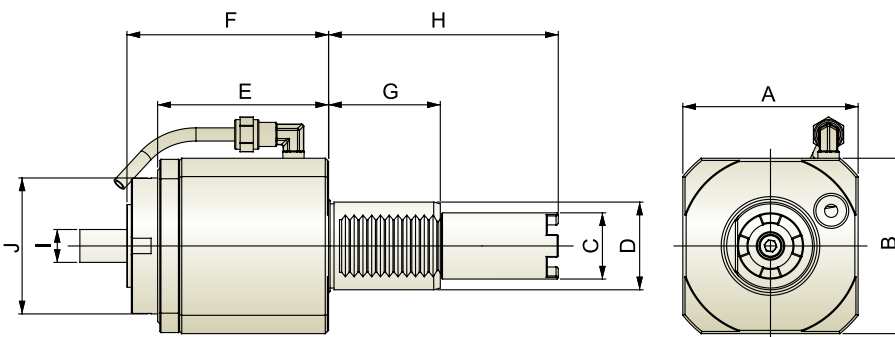
Unit : mm

Model No.	A	B	C	D	E	F max	G	H	I	J	N.W.(KG)
THB-A05-40E	76	76	30.2	40	55	93	51	104.85	ER32 (3~20)	50	3
THB-A05-40F	76	76	30.2	40	55	93	51	117.55	ER32 (3~20)	50	3
THB-A05-40G	76	76	30.2	40	55	93	51	130.55	ER32(3~20)	50	3.1
THB-A06-40E	76	76	30.2	40	74	123	51	104.85	ER40 (4~26)	63	4.1
THB-A06-40F	76	76	30.2	40	74	123	51	117.55	ER40 (4~26)	63	4.1
THB-A06-40G	76	76	30.2	40	74	123	51	130.55	ER40 (4~26)	63	4.1

## Axial Female Thread Tool Holder 軸向內牙動力刀座

External Coolant  
外部出水

R.P.M. Max. 轉速最高 **6,000 RPM**
 Rotation 轉向 IN OUT



Unit : mm

Model No.	A	B	C	D	E	F	G	H	I	J	N.W.(KG)
THB-A12-40E	76	76	30.2	40	77	92	51	104.85	ER32 (3~20)	62	3.8
THB-A12-40F	76	76	30.2	40	77	92	51	117.55	ER32 (3~20)	62	3.8
THB-A12-40G	76	76	30.2	40	77	92	51	130.55	ER32 (3~20)	62	3.8

※ 內牙扳手為選購配件，詳細規格請見 P80。ER wrench is not included and its specification is shown on P80.



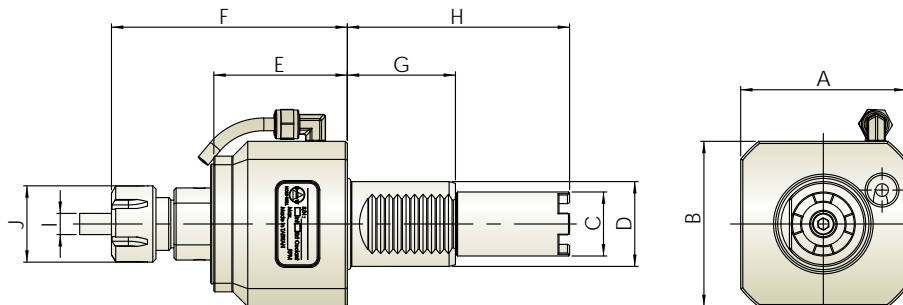
# Driven & Static Tool Holder



## Axial ER Tapping Tool Holder 軸向 ER 彈性攻牙動力刀座

External Coolant  
外部出水

R.P.M. Max. 轉速最高 **6,000 RPM**
 Rotation 轉向



Unit : mm

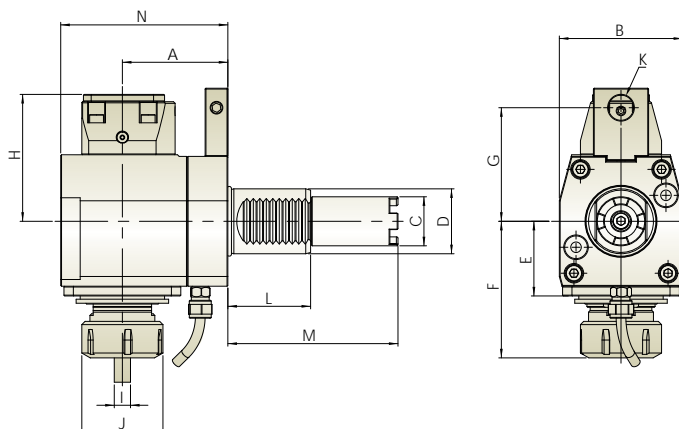
Model NO.	A	B	C	D	E	F max	G	H	I	J	N.W.(KG)
THB-A15-40E	78	78	30.2	40	63	111.3	51	104.85	M3~M12	36	3.7
THB-A15-40F	78	78	30.2	40	63	111.3	51	117.55	M3~M12	36	3.8
THB-A15-40G	78	78	30.2	40	63	111.3	51	130.55	M3~M12	36	3.8

## Radial Tool Holder 徑向動力刀座

External Coolant  
外部出水

Gear Ratio 齒輪比 **1 : 1**
 R.P.M. Max. 轉速最高 **4,000 RPM**
 Rotation 轉向

- Tool Holder is produced in accordance with DIN 69880.
- Driven Coupling is according to HAAS.
- ER Collet is according to DIN 6499.
- For left hand and right hand turret.
- 接合面依據DIN 69880
- 傳動軸為HAAS
- 輸出軸筒夾為DIN 6499
- 同時適用於左手型刀塔及右手型刀塔



Unit : mm

Model No.	A	B	C	D	E	F max	G	H	I	J	K	L	M	N	N.W.(KG)
THB-B05.65-40E	65	76	30.2	40	46	84	70	48.5	ER32 (3~20)	50	15.5	51	104.85	103	5.3
THB-B05.65-40F	65	76	30.2	40	46	84	70	48.5	ER32 (3~20)	50	15.5	51	117.55	103	5.2
THB-B05.65-40G	65	76	30.2	40	46	84	70	48.5	ER32 (3~20)	50	15.5	51	130.55	103	5.3
THB-B06.90-40E	90	80	30.2	40	56	105	70	62	ER40 (4~26)	63	15.5	51	104.85	129	7.6
THB-B06.90-40F	90	80	30.2	40	56	105	70	62	ER40 (4~26)	63	15.5	51	117.55	129	7.7
THB-B06.90-40G	90	80	30.2	40	56	105	70	62	ER40 (4~26)	63	15.5	51	130.55	129	7.8

※ Further option : 6000 RPM 另有 6000RPM 可供選擇

HAAS

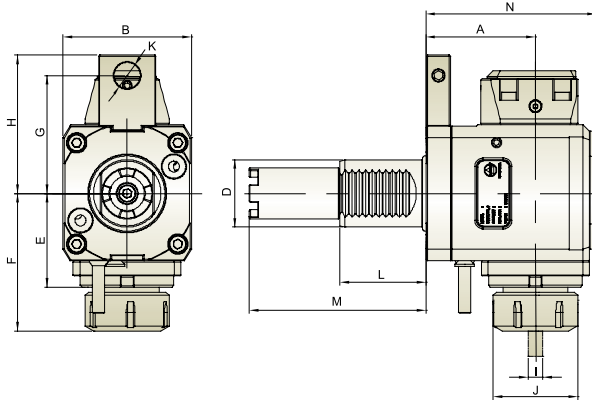
# Driven & Static Tool Holder



## Radial Tool Holder 徑向動力刀座

Internal Coolant  
中心出水

Gear Ratio 齒輪比 1:1
 R.P.M. Max. 轉速最高 4,000 RPM
 Internal Coolant 中心冷卻出水 30 bar
 Rotation 轉向
 IN OUT



Unit : mm

Model NO.	A	B	C	D	E	F max	G	H	I	J	K	L	M	N	N.W.(KG)
THB-B05.65-40EI	65	76	30.2	40	46	84	70	78.2	ER32(3~20)	50	15.5	51	104.85	103	5.3
THB-B05.65-40FI	65	76	30.2	40	46	84	70	78.2	ER32(3~20)	50	15.5	51	117.55	103	5.2
THB-B05.65-40GI	65	76	30.2	40	46	84	70	78.2	ER32(3~20)	50	15.5	51	130.55	103	5.3
THB-B06.90-40EI	90	80	30.2	40	56	105	70	90.5	ER40(4~26)	63	15.5	51	104.85	129	7.6
THB-B06.90-40FI	90	80	30.2	40	56	105	70	90.5	ER40(4~26)	63	15.5	51	117.55	129	7.7
THB-B06.90-40GI	90	80	30.2	40	56	105	70	90.5	ER40(4~26)	63	15.5	51	130.55	129	7.8

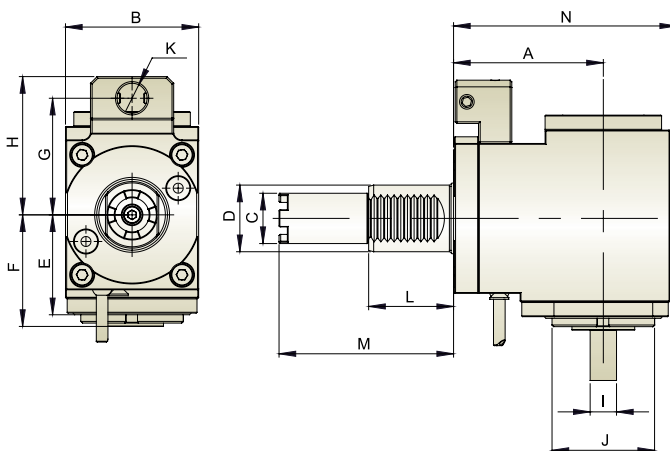
※ Further option : 6000 RPM 另有 6000RPM 可供選擇

## Radial Female Thread Tool Holder 徑向內牙動力刀座

External Coolant  
外部出水

Gear Ratio 齒輪比 1:1
 R.P.M. Max. 轉速最高 4,000 RPM
 Rotation 轉向
 IN OUT

- Tool Holder is produced in accordance with DIN 69880.
- Driven Coupling is according to HAAS.
- ER Collet is according to DIN 6499.
- For left hand and right hand turret.
- 接合面依據DIN 69880
- 傳動軸為HAAS
- 輸出軸筒夾為DIN 6499
- 同時適用於左手型刀塔及右手型刀塔



Unit : mm

Model No.	A	B	C	D	E	F	G	H	I	J	K	L	M	N	N.W.(KG)
THB-B12.90-40E	90	80	30.2	40	59	67	70	62	ER32 (3~20)	62	18	51	104.85	134	7.1
THB-B12.90-40F	90	80	30.2	40	59	67	70	62	ER32 (3~20)	62	18	51	117.55	134	7.2
THB-B12.90-40G	90	80	30.2	40	59	67	70	62	ER32 (3~20)	62	18	51	130.55	134	7.3

※ Further option : 6000 RPM 另有 6000RPM 可供選擇

※ 內牙扳手為選購配件，詳細規格請見 P80。ER wrench is not included and its specification is shown on P80.

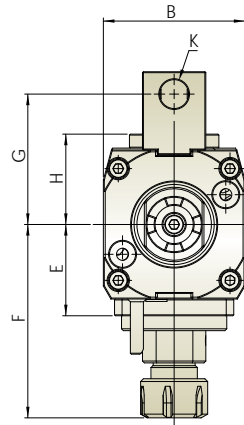
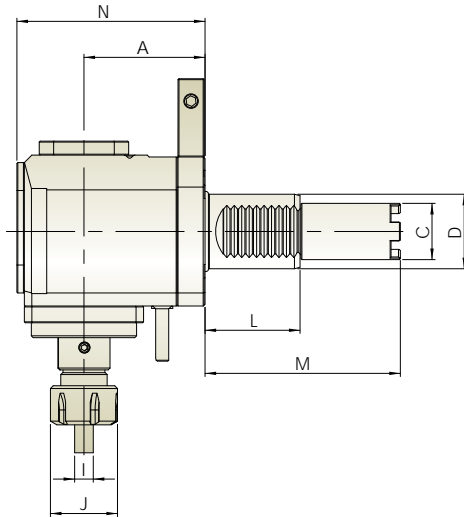
# Driven & Static Tool Holder



## Radial ER Tapping Tool Holder 徑向 ER 彈性攻牙動力刀座

External Coolant  
外部出水

Gear Ratio 齒輪比 1:1
 R.P.M. Max. 轉速最高 3,000 RPM
 Rotation 轉向



Unit : mm

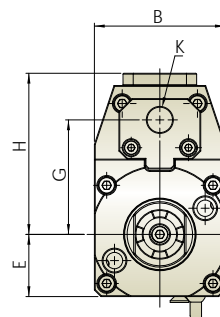
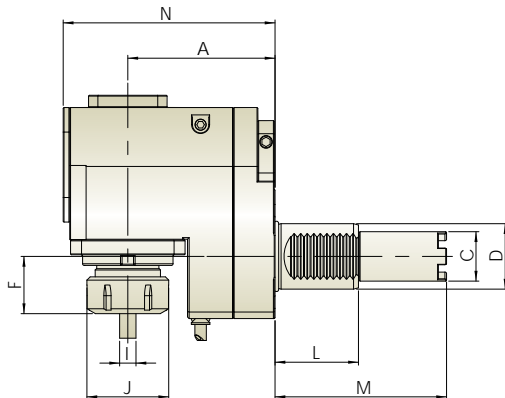
Model No.	A	B	C	D	E	F max	G	H	I	J	K	L	M	N	N.W.(KG)
THB-B15.65-40E	65	76	30.2	40	49	103.8	70	48.5	M3~M12	36	15.5	51	104.85	101	5.1
THB-B15.65-40F	65	76	30.2	40	49	103.8	70	48.5	M3~M12	36	15.5	51	117.55	101	5.1
THB-B15.65-40G	65	76	30.2	40	49	103.8	70	48.5	M3~M12	36	15.5	51	130.55	101	5.1

## Radial Offset Tool Holder 徑向後縮動力刀座

External Coolant  
外部出水

Gear Ratio 齒輪比 1:1
 R.P.M. Max. 轉速最高 4,000 RPM
 Rotation 轉向

- Tool Holder is produced in accordance with DIN 69880.
- Driven Coupling is according to HAAS.
- ER Collet is according to DIN 6499.
- For left hand and right hand turret.
- Cutting degree can be set from +90 to -90 degree for various applications.
- 接合面依據DIN 69880
- 傳動軸為HAAS
- 輸出軸筒夾為DIN 6499
- 同時適用於左手型刀塔及右手型刀塔
- 擺動角度+90度至-90度



Unit : mm

Model NO.	A	B	C	D	E	F max	G	H	I	J	K	L	M	N	N.W.(KG)
THB-D05.90-40E	90	80	30.2	40	38	35	70	98.5	ER32(3~20)	50	15.5	51	104.85	129.5	7.6
THB-D05.90-40F	90	80	30.2	40	38	35	70	98.5	ER32(3~20)	50	15.5	51	117.55	129.5	7.6
THB-D05.90-40G	90	80	30.2	40	38	35	70	98.5	ER32(3~20)	50	15.5	51	130.55	129.5	7.7

※ Further option : 6000RPM 另有 6000RPM 可供選擇

HAAS

# Driven & Static Tool Holder

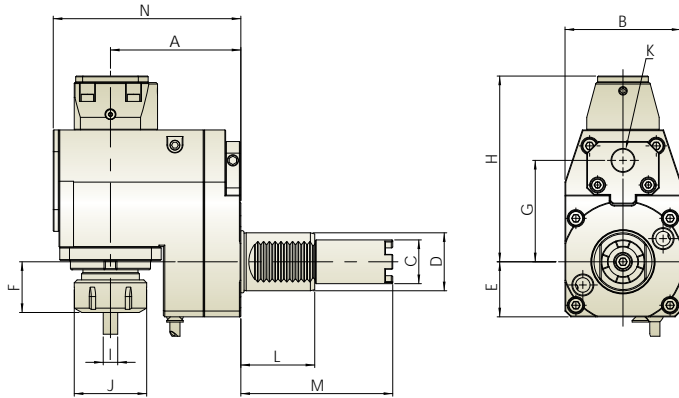


## Radial Offset Tool Holder 徑向後縮動力刀座

Internal Coolant  
中心出水

Gear Ratio 齒輪比 1:0.33
 R.P.M. Max. 轉速最高 4,000 RPM
 Internal Coolant 中心冷卻出水 30 bar
 Rotation 轉向
 IN OUT

- Tool Holder is produced in accordance with DIN 69880.
- Driven Coupling is according to HAAS.
- ER Collet is according to DIN 6499.
- For left hand and right hand turret.
- 接合面依據DIN 69880
- 傳動軸為 HAAS
- 輸出軸筒夾為DIN 6499
- 同時適用於左手型刀塔及右手型刀塔



Unit : mm

Model NO.	A	B	C	D	E	F max	G	H	I	J	K	L	M	N	N.W.(KG)
THB-D05.90-40EI	90	80	30.2	40	38	35	70	128.2	ER32(3~20)	50	15.5	51	104.85	129.5	8
THB-D05.90-40FI	90	80	30.2	40	38	35	70	128.2	ER32(3~20)	50	15.5	51	117.55	129.5	8.1
THB-D05.90-40GI	90	80	30.2	40	38	35	70	128.2	ER32(3~20)	50	15.5	51	130.55	129.5	8.1

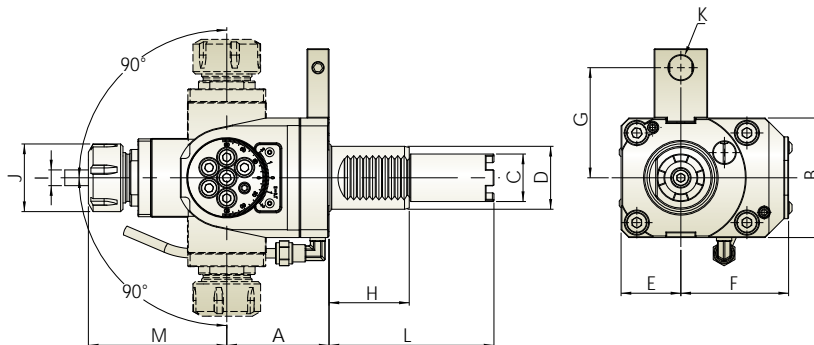
※ Further option : 6000RPM 另有 6000RPM 可供選擇

## Angle Adjustable Tool Holder 萬向動力刀座

External Coolant  
外部出水

Gear Ratio 齒輪比 1:1
 R.P.M. Max. 轉速最高 4,000 RPM
 Rotation 轉向
 IN OUT

- Tool Holder is produced in accordance with DIN 69880.
- Driven Coupling is according to HAAS.
- ER Collet is according to DIN 6499.
- For left hand and right hand turret.
- Cutting degree can be set from +90 to -90 degree for various applications.
- 接合面依據DIN 69880
- 傳動軸為HAAS
- 輸出軸筒夾為DIN 6499
- 同時適用於左手型刀塔及右手型刀塔
- 擺動角度+90 度至-90 度



Unit : mm

Model NO.	A	B	C	D	E	F	G	H	I	J	K	L	M max	N.W.(KG)
THB-E04.65-40E	65	76	30.2	40	38	68.5	70	51	ER25(2~16)	43	15.5	104.85	88	5.3
THB-E04.65-40F	65	76	30.2	40	38	68.5	70	51	ER25(2~16)	43	15.5	117.55	88	5.4
THB-E04.65-40G	65	76	30.2	40	38	68.5	70	51	ER25(2~16)	43	15.5	130.55	88	5.4

HAAS

# Driven & Static Tool Holder

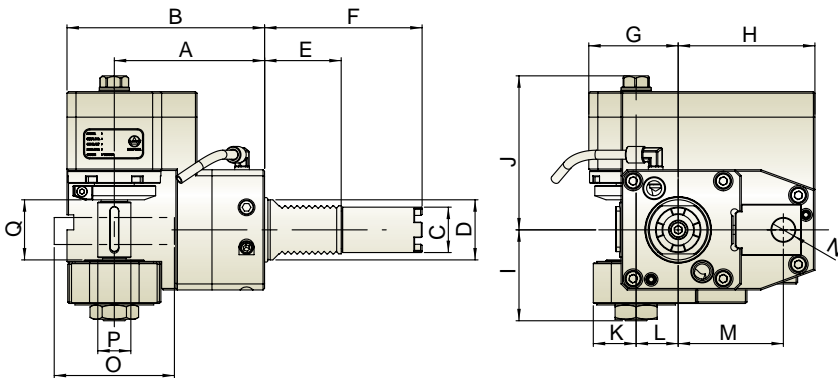


## Radial Side Cutting Tool Holder 徑向內側銑動力刀座

External Coolant  
外部出水

Gear Ratio 齒輪比 1:0.33
 R.P.M. Max. 轉速最高 4,000 RPM
 Rotation 轉向

- Tool Holder is produced in accordance with DIN 69880.
- Driven Coupling is according to HAAS.
- ER Collet is according to DIN 6499.
- For left hand and right hand turret.
- 接合面依據DIN 69880
- 傳動軸為 HAAS
- 輸出軸筒夾為DIN 6499
- 同時適用於左手型刀塔及右手型刀塔



Unit : mm

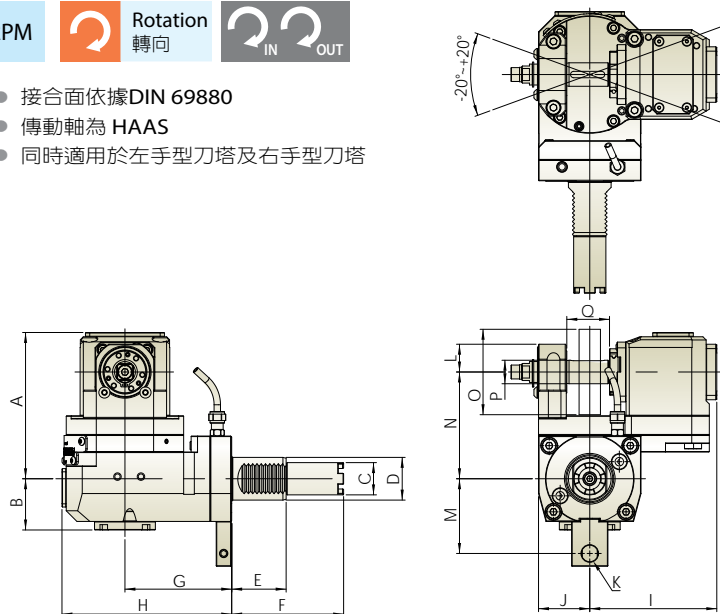
Model No.	A	B	C	D	E	F	G	H	I	J	K	L	M	N	O	P	Q	N.W.(KG)
THB-J30.100-40ER0.33	100	131.5	30.2	40	51	104.85	59.5	91	60.5	102.5	28.5	28	70	15.5	80	32	40	12.9
THB-J30.100-40FR0.33	100	131.5	30.2	40	51	117.55	59.5	91	60.5	102.5	28.5	28	70	15.5	80	32	40	12.9
THB-J30.100-40GR0.33	100	131.5	30.2	40	51	130.55	59.5	91	60.5	102.5	28.5	28	70	15.5	80	32	40	12.9

## Radial Swivel Gear Hobber Tool Holder 徑向擺動滾齒動力刀座

External Coolant  
外部出水

Gear Ratio 齒輪比 1:0.33
 R.P.M. Max. 轉速最高 4,000 RPM
 Rotation 轉向

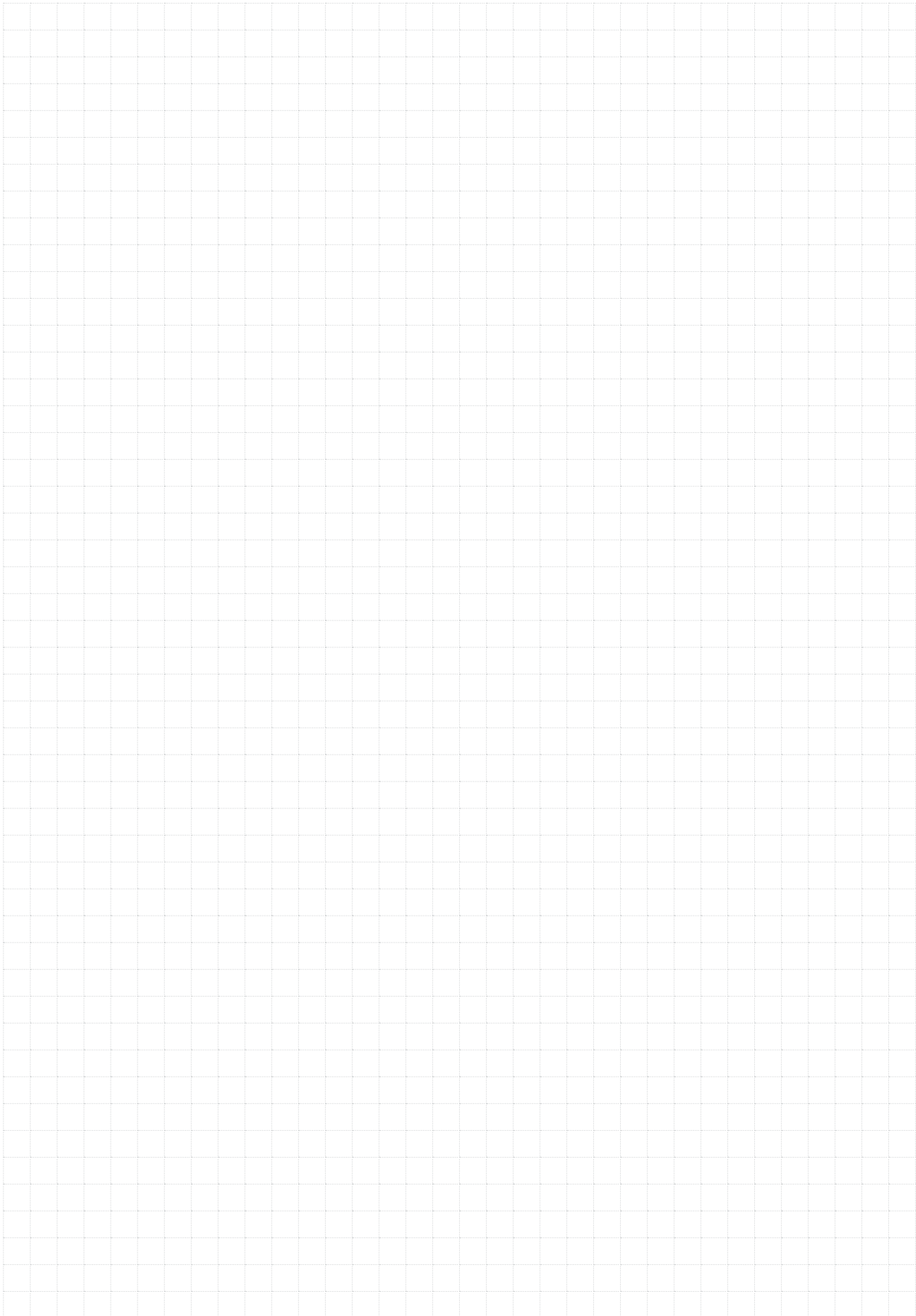
- Tool Holder is produced in accordance with DIN 69880.
- Driven Coupling is according to HAAS.
- For left hand and right hand turret.
- 接合面依據DIN 69880
- 傳動軸為 HAAS
- 同時適用於左手型刀塔及右手型刀塔



Unit : mm

Model NO.	A	B	C	D	E	F	G	H	I	J	K	L	M	N	O	P	Q	N.W.(KG)
THB-T29.100-40E	137	48	30.2	40	51	104.85	100	159	119	48	15.5	26	70	100	80	27	40	14
THB-T29.100-40F	137	48	30.2	40	51	117.55	100	159	119	48	15.5	26	70	100	80	27	40	14
THB-T29.100-40G	137	48	30.2	40	51	130.55	100	159	119	48	15.5	26	70	100	80	27	40	14

HAAS

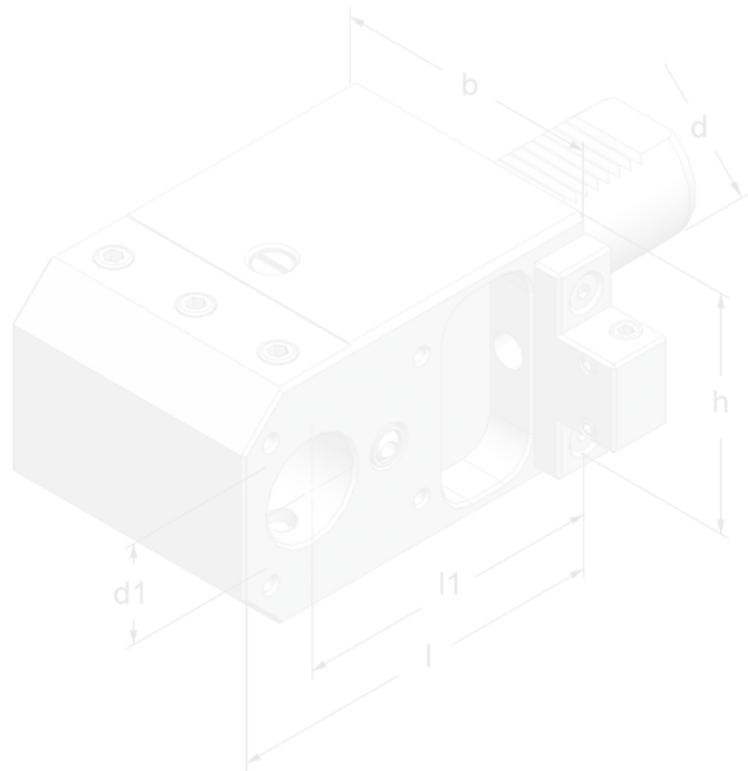


# VDI

車銑複合機刀座  
Driven & Static Tool Holder



## VDI STATIC

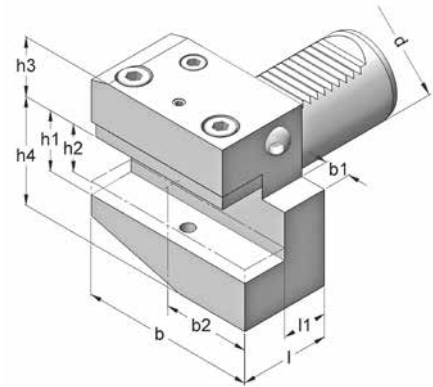




## THA-B Radial Tool Holder 徑向外徑刀座

### B1 Type

Radial Tool Holder  
form B1 right hand, short  
徑向外徑右手型刀座

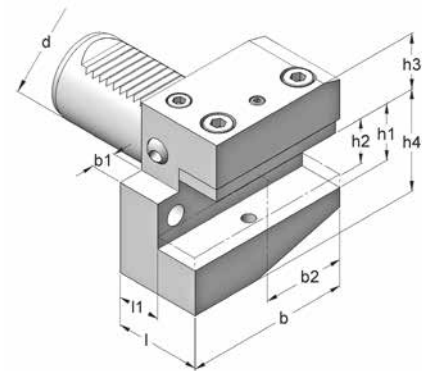


Model No.	d	b	b1	b2	h1	h2	h3	h4	l	l1	Ref. No.
THA-B1-3020	30	70	10	35	20	16	28	38	40	22	B1-30x20x40
THA-B1-4025	40	85	12.5	42.5	25	20	32.5	38	44	22	B1-40x25x44
THA-B1-5032	50	100	16	50	32	25	35	60	55	30	B1-50x32x55

Unit : mm

### B2 Type

Radial Tool Holder  
form B2 left hand, short  
徑向外徑左手型刀座

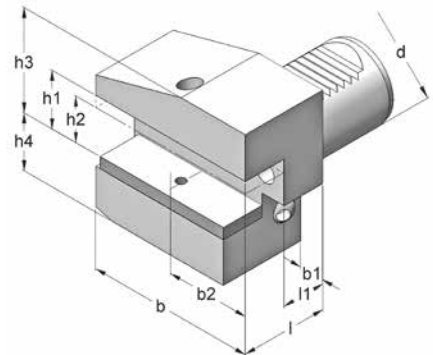


Model No.	d	b	b1	b2	h1	h2	h3	h4	l	l1	Ref. No.
THA-B2-3020	30	70	10	35	20	16	28	38	40	22	B2-30x20x40
THA-B2-4025	40	85	12.5	42.5	25	20	32.5	48	44	22	B2-40x25x44
THA-B2-5032	50	100	16	50	32	25	35	60	55	30	B2-50x32x55

Unit : mm

### B3 Type

Radial Tool Holder Overhead  
form B3 right hand, short  
徑向外徑右手型刀座

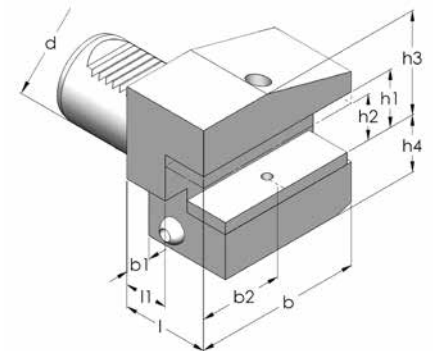


Model No.	d	b	b1	b2	h1	h2	h3	h4	l	l1	Ref. No.
THA-B3-3020	30	70	10	35	20	16	38	35	40	22	B3-30x20x40
THA-B3-4025	40	85	12.5	42.5	25	20	48	42.5	44	22	B3-40x25x44
THA-B3-5032	50	100	16	50	32	25	60	50	55	30	B3-50x32x55

Unit : mm

### B4 Type

Radial Tool Holder Overhead  
form B4 left hand, short  
徑向外徑左手型刀座



Unit : mm

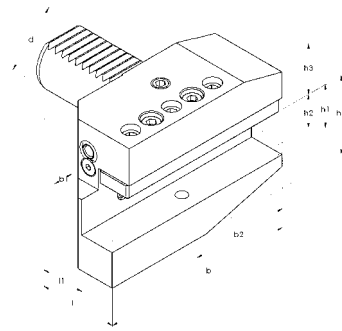
Model No.	d	b	b1	b2	h1	h2	h3	h4	l	l1	Ref. No.
THA-B4-3020	30	70	10	35	20	16	38	35	40	22	B4-30x20x40
THA-B4-4025	40	85	12.5	42.5	25	20	48	42.5	44	22	B4-40x25x44
THA-B4-5032	50	100	16	50	32	25	60	50	55	30	B4-50x32x55

※ The tool holders in Inch size are available on request. 尚有英制可供選擇。





## THA-B Radial Tool Holder 徑向外徑刀座

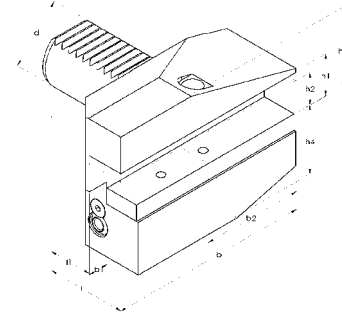


### B6 Type

Radial Tool Holder  
form B6 left hand, long  
徑向外徑左手型刀座

Model No.	d	b	b1	b2	h1	h2	h3	h4	l	l1	Ref. No.
THA-B6-3020	30	100	10	65	20	16	38	28	22	40	B6-30x20x40
THA-B6-4025	40	118	12,5	75.5	25	20	48	32.5	22	44	B6-40x25x44

Unit : mm



### B8 Type

Radial Tool Holder Overhead  
form B8 left hand, long  
徑向外徑左手型刀座

Unit : mm

Model No.	d	b	b1	b2	h1	h2	h3	h4	l1	l	Ref.No.
THA-B8-3020	30	100	10	65	20	16	38	28	22	40	B8-30x20x40
THA-B8-4025	40	118	12.5	42.5	25	20	48	42.5	22	44	B8-40x25x44

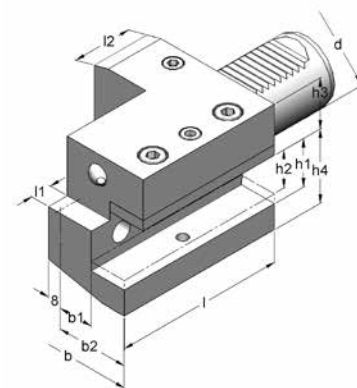
※ The tool holders in Inch size are available on request. 尚有英制可供選擇。



## THA-C Axial Tool Holder 軸向外徑刀座

### C1 Type

Axial Tool Holder  
form C1 right hand, short  
軸向外徑右手型刀座

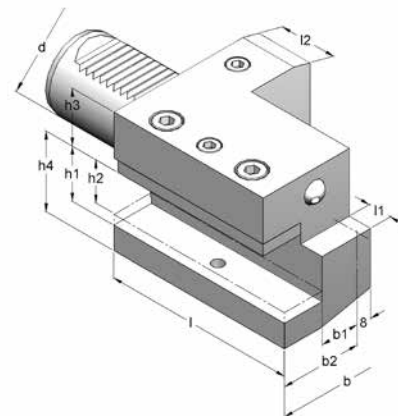


Model No.	d	b	b1	b2	h1	h2	h3	h4	l	l1	l2	Ref. No.
THA-C1-3020	30	70	17	35	20	16	28	38	70	10	30	C1-30x20x75
THA-C1-4025	40	85	20.5	42.5	25	20	32.5	48	85	12.5	30	C1-40x25x85
THA-C1-5032	50	100	25.5	50	32	25	35	60	100	16	40	C1-50x32x100

Unit : mm

### C2 Type

Axial Tool Holder  
form C2 left hand, short  
軸向外徑左手型刀座

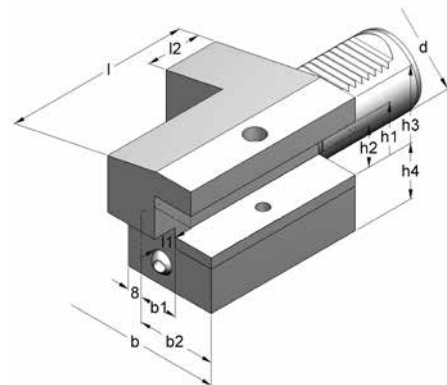


Model No.	d	b	b1	b2	h1	h2	h3	h4	l	l1	l2	Ref. No.
THA-C2-3020	30	74	21	39	20	16	28	38	70	10	30	C2-30x20x75
THA-C2-4025	40	90	25.5	47.5	25	20	32.5	48	85	12.5	30	C2-40x25x80
THA-C2-5032	50	105	30.5	55	32	25	35	60	100	16	40	C2-50x32x100

Unit : mm

### C3 Type

Axial Tool Holder Overhead form  
C3 right hand, short  
軸向外徑右手型刀座

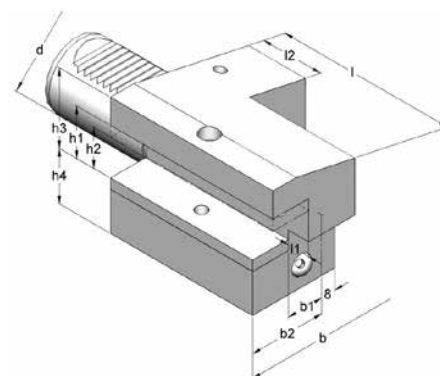


Model No.	d	b	b1	b2	h1	h2	h3	h4	l	l1	l2	Ref. No.
THA-C3-3020	30	70	17	35	20	16	28	38	70	10	30	C3-30x20x75
THA-C3-4025	40	85	20.5	42.5	25	20	32.5	48	85	12.5	30	C3-40x25x80
THA-C3-5032	50	100	25.5	50	32	25	35	60	100	16	40	C3-50x32x100

Unit : mm

### C4 Type

Axial Tool Holder Overhead form  
C4 left hand, short  
軸向外徑左手型刀座



Unit : mm

Model No.	d	b	b1	b2	h1	h2	h3	h4	l	l1	l2	Ref. No.
THA-C4-3020	30	74	21	39	20	16	28	38	70	10	30	C4-30x20x75
THA-C4-4025	40	90	25.5	47.5	25	20	32.5	48	85	12.5	30	C4-40x25x80
THA-C4-5032	50	105	30.5	55	32	25	35	60	100	16	40	C4-50x32x100

※ The tool holders in Inch size are available on request. 尚有英制可供選擇。

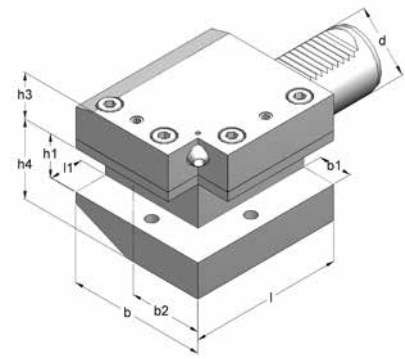


## THA-BC Radial-Axial Tool Holder 徑向 - 軸向外徑刀座

### B1/C1 Type

Radial-Axial Tool Holder  
form B1/C1 right hand

徑向 - 軸向外徑右手型刀座



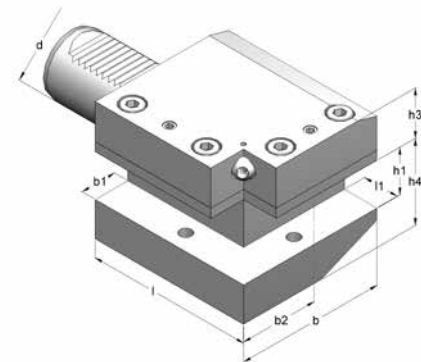
Model No.	d	b	b1	b2	h1	h2	h3	h4	l	l1	Ref. No.
THA-BC1-3020	30	70	18	35	20	16	38	35	70	18	B1/C1-30x20x70
THA-BC1-4025	40	85	22	42.5	25	20	48	42.5	100	25	B1/C1-40x25x100
THA-BC1-5032	50	100	24	50	32	25	60	50	120	25	B1/C1-50x32x120

Unit : mm

### B2/C2 Type

Radial-Axial Tool Holder  
form B2/C2 left hand

徑向 - 軸向外徑左手型刀座



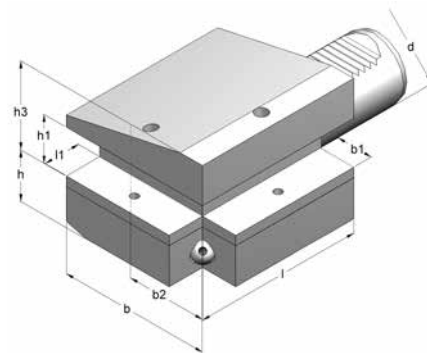
Model No.	d	b	b1	b2	h1	h2	h3	h4	l	l1	Ref. No.
THA-BC2-3020	30	74	18	39	20	16	38	35	70	18	B2/C2-30x20x70
THA-BC2-4025	40	90	22	47.5	25	20	48	42.5	100	25	B2/C2-40x25x100
THA-BC2-5032	50	105	24	55	32	25	60	50	120	25	B2/C2-50x32x120

Unit : mm

### B3/C3 Type

Radial-Axial Tool Holder Overhead  
form B3/C3 right hand

徑向 - 軸向外徑右手型刀座



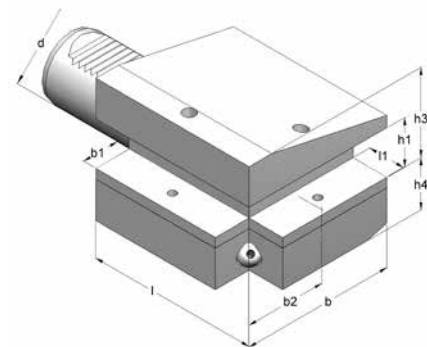
Model No.	d	b	b1	b2	h1	h2	h3	h4	l	l1	Ref. No.
THA-BC3-3020	30	70	18	35	20	16	38	35	70	18	B3/C3-30x20x70
THA-BC3-4025	40	85	22	42.5	25	20	48	42.5	100	25	B3/C3-40x25x100
THA-BC3-5032	50	100	24	50	32	25	60	50	120	25	B3/C3-50x32x120

Unit : mm

### B4/C4 Type

Radial-Axial Tool Holder Overhead form  
B4/C4 left hand

徑向 - 軸向外徑左手型刀座

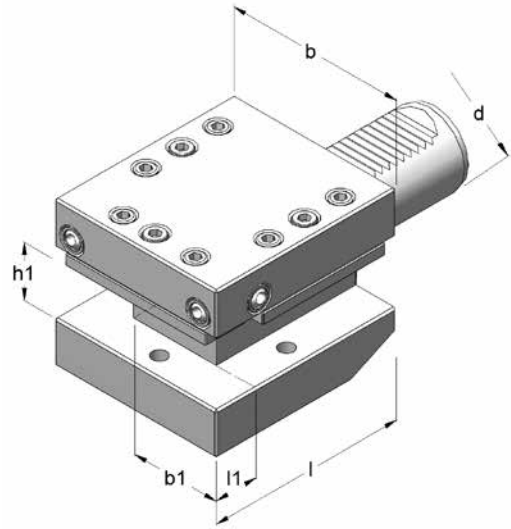


Model No.	d	b	b1	b2	h1	h2	h3	h4	l	l1	Ref. No.
THA-BC4-3020	30	74	18	39	20	16	38	35	70	18	B4/C4-30x20x70
THA-BC4-4025	40	90	22	47.5	25	20	48	42.5	100	25	B4/C4-40x25x100
THA-BC4-5032	50	105	24	55	32	25	60	50	120	25	B4/C4-50x32x120

Unit : mm



## THA-D Multiple Tool Holder 萬向外徑刀座



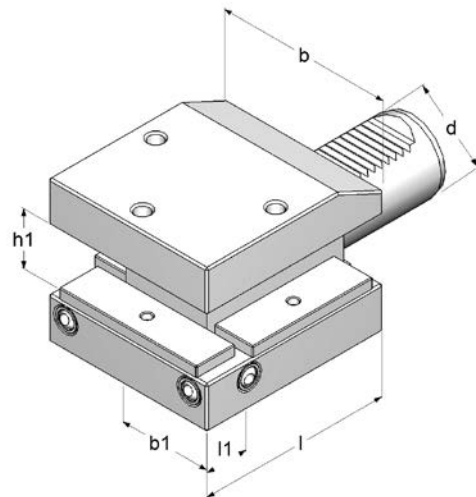
### D1 Type

Multiple Tool Holder form D1

萬向外徑刀座

Model No.	d	b	b1	h1	l	l1	Ref. No.
THA-D1-3020	30	76	35	20	60	18	D1-30x20
THA-D1-4025	40	90	42.5	25	72	22	D1-40x25
THA-D1-5032	50	105	50	32	85	25	D1-50x32

Unit : mm



### D2 Type

Multiple Tool Holder form D2

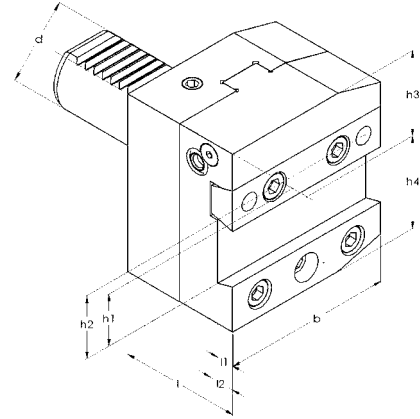
萬向外徑刀座

Model No.	d	b	b1	h1	l	l1	Ref. No.
THA-D2-3020	30	76	35	20	60	18	D2-30x20
THA-D2-4025	40	90	42.5	25	72	22	D2-40x25
THA-D2-5032	50	105	50	32	85	25	D2-50x32

Unit : mm



## THA-H Cut-off Tool Holder 切斷刀座



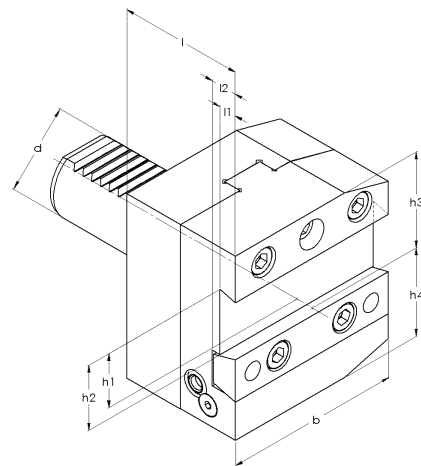
### H2 Type

Cut-off Tool Holder H2

切斷刀座

Model No.	d	b	b2	h1	h3	h4	l	Ref. No.
THA-H2-3026	30	70	35	26	32	39	50	H2-30x26
THA-H2-4026	40	85	42.5	26	43	41.5	50	H2-40x26
THA-H2-4032	40	85	42.5	32	43	41.5	50	H2-40x32

Unit : mm



### H4 Type

Cut-off Tool Holder H4

切斷刀座

Model No.	d	b	b2	h1	h3	h4	l	Ref. No.
THA-H4-3026	30	70	35	26	32	39	50	H4-30x26
THA-H4-4026	40	85	42.5	26	43	41.5	50	H4-40x26
THA-H4-4032	40	85	42.5	32	43	41.5	50	H4-40x32

Unit : mm



## THA-E Tool Holder 內徑刀座

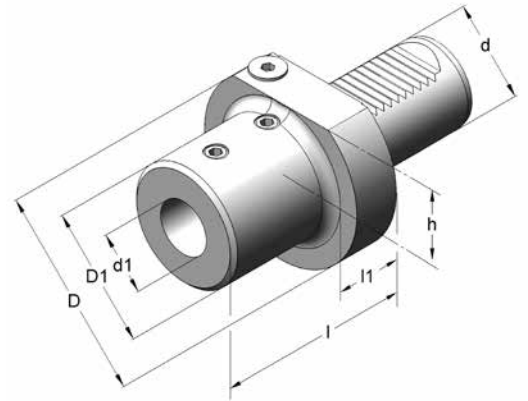
### E1 Type

Tool Holder form E1 for U Drill

內徑 U-Drill 刀座

Model No.	d	d1	D	D1	h	l	l1	Ref. No.
THA-E1-3016	30	16	68	34	28	66	22	E1-30x16
THA-E1-3020	30	20	68	40	28	66	22	E1-30x20
THA-E1-3025	30	25	68	45	28	71	22	E1-30x25
THA-E1-3032	30	32	68	52	28	75	22	E1-30x32
THA-E1-4016	40	16	83	34	32.5	66	22	E1-40x16
THA-E1-4020	40	20	83	40	32.5	66	22	E1-40x20
THA-E1-4025	40	25	83	45	32.5	71	22	E1-40x25
THA-E1-4032	40	32	83	52	32.5	75	22	E1-40x32
THA-E1-4040	40	40	83	60	32.5	85	22	E1-40x40
THA-E1-5020	50	20	98	40	35	66	30	E1-50x20
THA-E1-5025	50	25	98	45	35	71	30	E1-50x25
THA-E1-5032	50	32	98	52	35	75	30	E1-50x32
THA-E1-5040	50	40	98	60	35	85	30	E1-50x40
THA-E1-5050	50	50	98	70	35	95	30	E1-50x50

Unit : mm



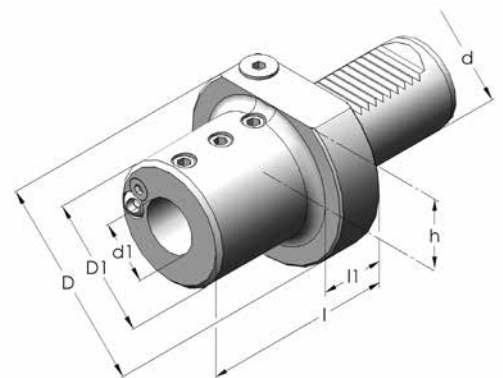
### E2 Type

Side Lock Tool Holder form E2

內孔側固式刀座

Unit : mm

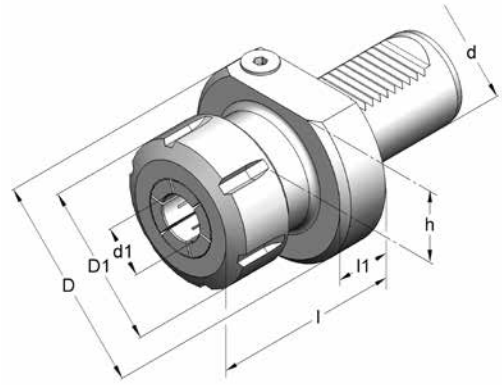
Model No.	d	d1	D	D1	h	l	l1	Ref. No.
THA-E2-3008	30	8	68	55	28	60	22	E2-30x08
THA-E2-3010	30	10	68	55	28	60	22	E2-30x10
THA-E2-3012	30	12	68	55	28	60	22	E2-30x12
THA-E2-3016	30	16	68	55	28	60	22	E2-30x16
THA-E2-3020	30	20	68	55	28	60	22	E2-30x20
THA-E2-3025	30	25	68	55	28	60	22	E2-30x25
THA-E2-3032	30	32	68	-	28	75	-	E2-30x32
THA-E2-4008	40	8	83	55	32.5	75	22	E2-40x08
THA-E2-4010	40	10	83	55	32.5	75	22	E2-40x10
THA-E2-4012	40	12	83	55	32.5	75	22	E2-40x12
THA-E2-4016	40	16	83	55	32.5	75	22	E2-40x16
THA-E2-4020	40	20	83	55	32.5	75	22	E2-40x20
THA-E2-4025	40	25	83	55	32.5	75	22	E2-40x25
THA-E2-4032	40	32	83	-	32.5	75	-	E2-40x32
THA-E2-4040	40	40	83	-	32.5	75	-	E2-40x40
THA-E2-5020	50	20	98	68	35	90	30	E2-50x20
THA-E2-5025	50	25	98	68	35	90	30	E2-50x25
THA-E2-5032	50	32	98	68	35	90	30	E2-50x32
THA-E2-5040	50	40	98	-	35	90	-	E2-50x40
THA-E2-5050	50	50	98	-	35	100	-	E2-50x50



\* The tool holders in Inch size are available on request. 尚有英制可供選擇。



## THA-E Tool Holder 内徑刀座



### E4 Type

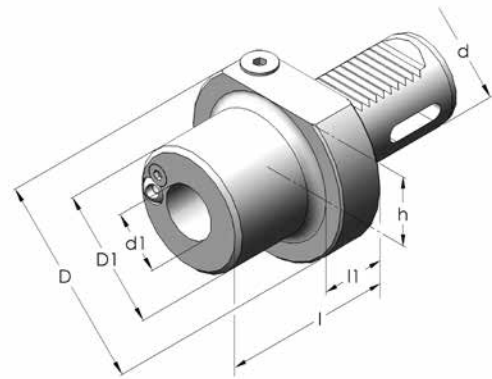
ER Collet Chuck Tool Holder form E4

内孔 ER 筒夾式刀座

Model No.	d	d1	D	D1	l	h	ER	Ref.No.
THA-E4-3016	30	1-16	68	42	57	28	25	E4-30x16
THA-E4-3020	30	2-20	68	50	75	28	32	E4-30x20
THA-E4-3026	30	3-26	68	63	75	28	40	E4-30x26
THA-E4-4020	40	2-20	83	50	75	32.5	32	E4-40x20
THA-E4-4026	40	3-26	83	63	75	32.5	40	E4-40x26
THA-E4-5026	50	3-26	98	63	90	35	40	E4-50x26
THA-E4-5034	50	10-34	98	78	90	35	50	E4-50x34

Unit : mm

## THA-F Morse Taper Tool Holder 内孔莫式刀座

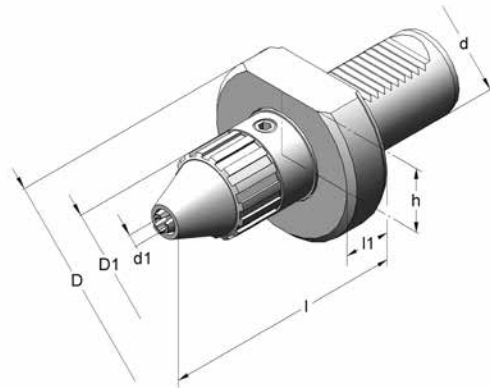


Model No.	d	d1	D	D1	h	l	l1	Ref. No.
THA-F1-30MT1	30	1	68	52	28	25	20	F30-MK-DK1
THA-F1-30MT2	30	2	68	58	28	25	20	F30-MK-DK2
THA-F1-30MT3	30	3	68	68	28	40	20	F30-MK-DK3
THA-F1-40MT2	40	2	83	58	32.5	34	25	F40-MK-DK2
THA-F1-40MT3	40	3	83	64	32.5	58	25	F40-MK-DK3
THA-F1-40MT4	40	4	83	72	32.5	86	25	F40-MK-DK4
THA-F1-50MT2	50	2	98	-	35	25	-	F50-MK-DK2
THA-F1-50MT3	50	3	98	64	35	42	25	F50-MK-DK3
THA-F1-50MT4	50	4	98	72	35	71	25	F50-MK-DK4

Unit : mm



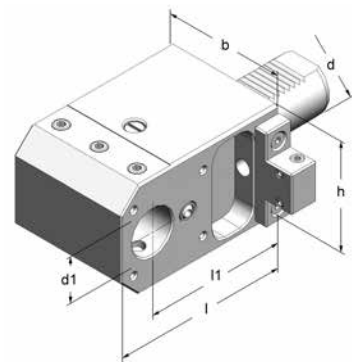
## THA-G Quick Locking Drill Chuck 鑽孔夾頭刀座



Model No.	d	d1	D	D1	h	l	l1
THA-G1-3013	30	1-13	68	43	28	81	18
THA-G1-4013	40	1-13	83	43	32.5	77	18
THA-G1-4016	40	2.5-16	83	56	32.5	95	18
THA-G1-5016	50	2.5-16	98	56	35	95	18

Unit : mm

## THA-T Radial Boring Bar Tool Holder 徑向側固式內孔刀座



Unit : mm

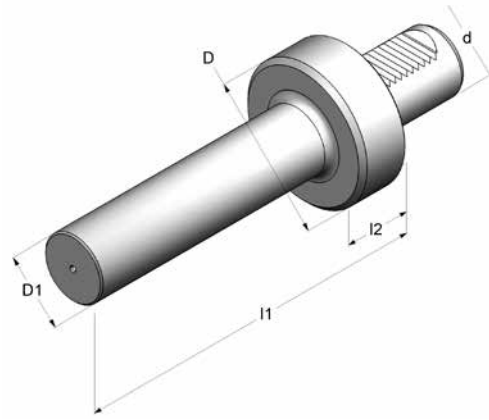
Model No.	d	d1	b	h	l	l1
THA-T1-3020100	30	20	70	64	125	100
THA-T1-303265	30	32	70	64	90	65
THA-T1-303285	30	32	70	64	110	85
THA-T1-3032100	30	32	70	64	125	100
THA-T1-4032100	40	32	85	76	125	100
THA-T1-4032120	40	32	85	76	145	120
THA-T1-4040100	40	40	85	76	129	100
THA-T1-4040120	40	40	85	76	149	120
THA-T1-5040100	50	40	96	90	137	100
THA-T1-5040120	50	40	96	90	157	120
THA-T1-5050100	50	50	96	90	137	100
THA-T1-5050120	50	50	96	90	157	120

※ Further option : internal coolant. 另有中心出水可供選擇。





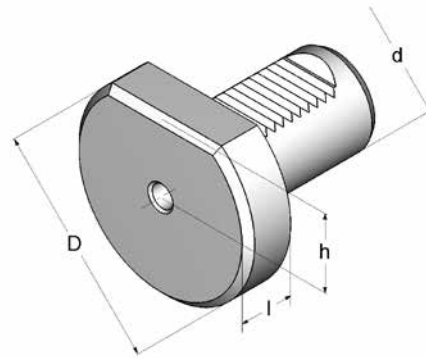
## THA-TA Test Arbor 測試棒



Model No.	d	D	D1	l1	l2
THA-TA-30	30	68	30	190	30
THA-TA-40	40	83	40	190	30
THA-TA-50	50	98	50	190	30

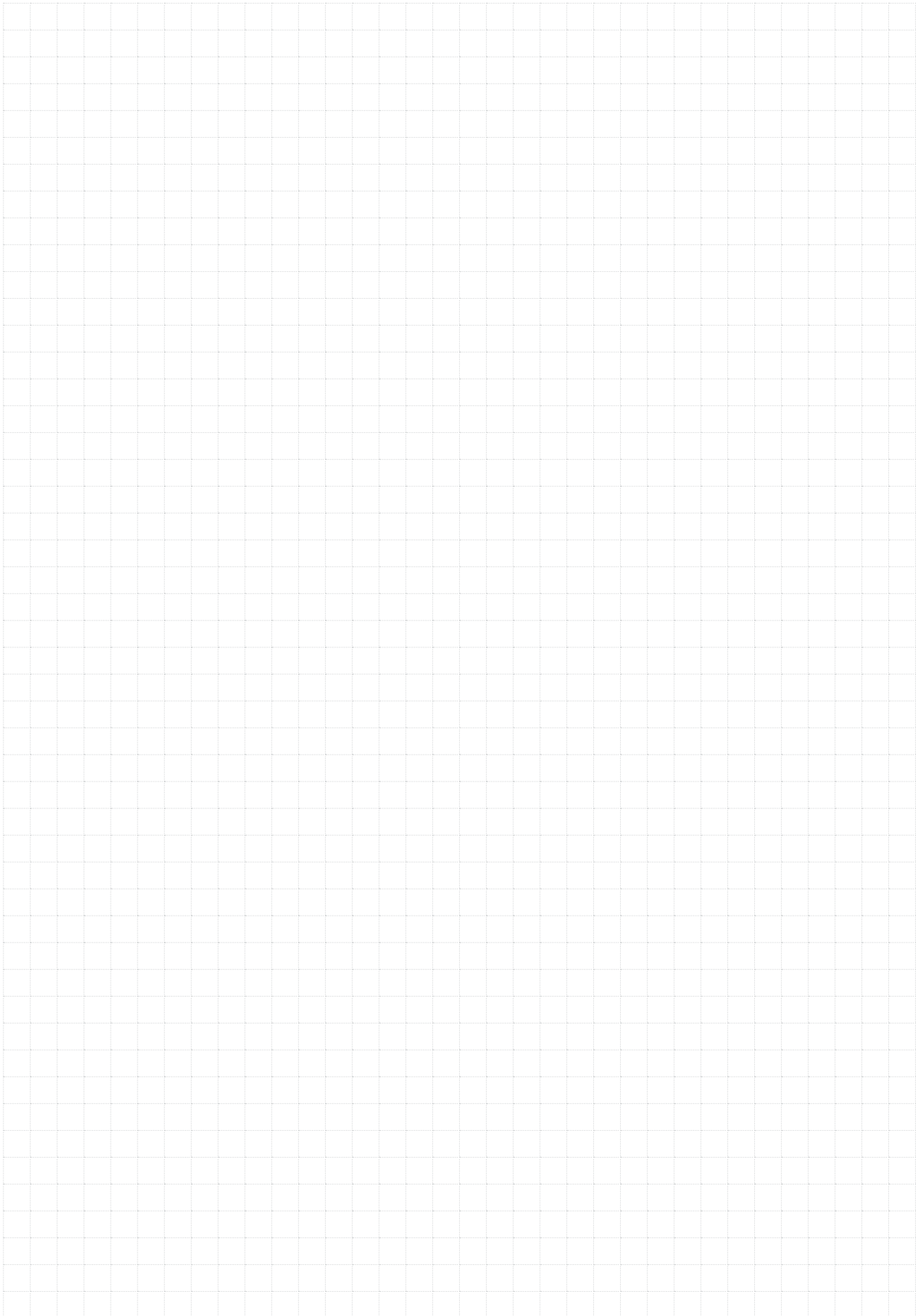
Unit : mm

## THA-Z Plug 防塵蓋



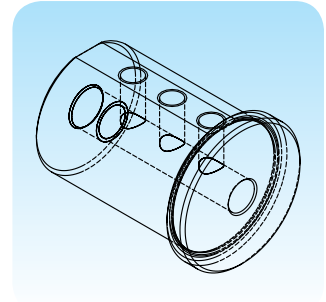
Model No.	d	D	h	l
THA-Z2-30	30	68	28	16
THA-Z2-40	40	83	32.5	12
THA-Z2-50	50	98	35	12

Unit : mm

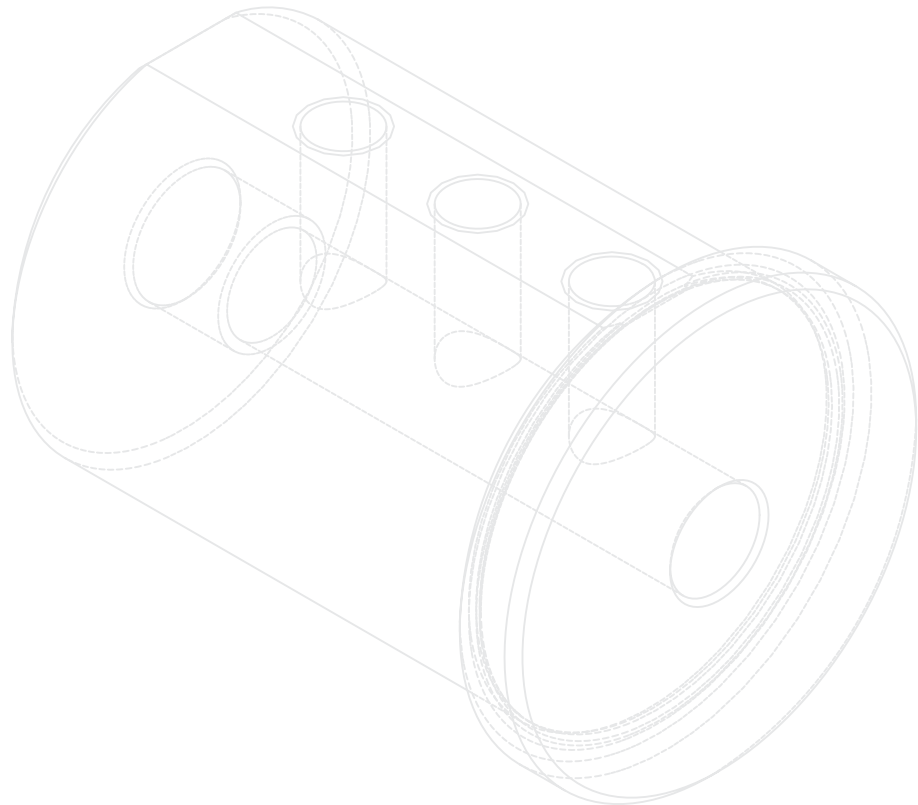


# VDI

車銑複合機刀座  
Driven & Static Tool Holder

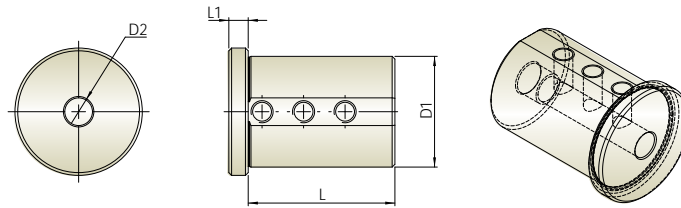


## ADAPTOR SLEEVE



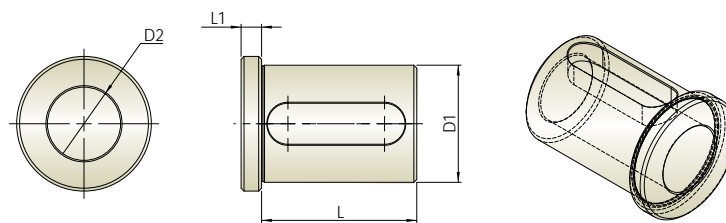


## THV-AS06 Adaptor Sleeve 刀套



Order No.	Model No.	D1	D2	L	L1
712-0613001	THV-AS06-20.06	20	6	45	7
712-0613002	THV-AS06-20.08	20	8	45	7
712-0613003	THV-AS06-20.10	20	10	45	7
712-0613004	THV-AS06-20.12	20	12	45	7
712-0601001	THV-AS06-25.06	25	6	46	4
712-0601002	THV-AS06-25.08	25	8	46	4
712-0601003	THV-AS06-25.10	25	10	46	4
712-0601004	THV-AS06-25.12	25	12	46	4
712-0602001	THV-AS06-32.06	32	6	53	5
712-0602002	THV-AS06-32.08	32	8	53	5
712-0602003	THV-AS06-32.10	32	10	53	5
712-0602004	THV-AS06-32.12	32	12	53	5
712-0603014	THV-AS06-40.06	40	6	53	7
712-0603001	THV-AS06-40.08	40	8	53	7
712-0603002	THV-AS06-40.10	40	10	53	7
712-0603003	THV-AS06-40.12	40	12	53	7
712-0604001	THV-AS06-50.10	50	10	70	5
712-0604002	THV-AS06-50.12	50	12	70	5
712-0604003	THV-AS06-50.16	50	16	70	5
712-0604004	THV-AS06-50.20	50	20	70	5
712-0604005	THV-AS06-50.25	50	25	70	5

Unit : mm

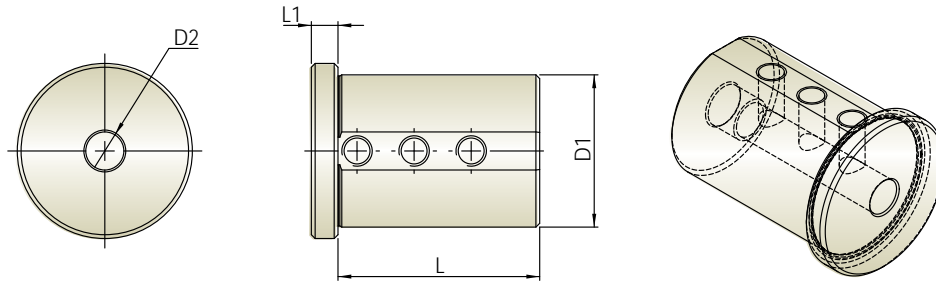


Order No.	Model No.	D1	D2	L	L1
712-0613005	THV-AS06-20.16	20	16	45	7
712-0601005	THV-AS06-25.16	25	16	46	4
712-0601007	THV-AS06-25.20	25	20	50	4
712-0602005	THV-AS06-32.16	32	16	53	5
712-0602006	THV-AS06-32.20	32	20	53	5
712-0602007	THV-AS06-32.25	32	25	53	5
712-0603004	THV-AS06-40.16	40	16	53	7
712-0603006	THV-AS06-40.20	40	20	53	7
712-0603007	THV-AS06-40.25	40	25	53	7
712-0603013	THV-AS06-40.32	40	32	53	7
712-0604006	THV-AS06-50.32	50	32	70	5
712-0604007	THV-AS06-50.40	50	40	70	5

Unit : mm



## THV-AS07 Adaptor Sleeve 刀套

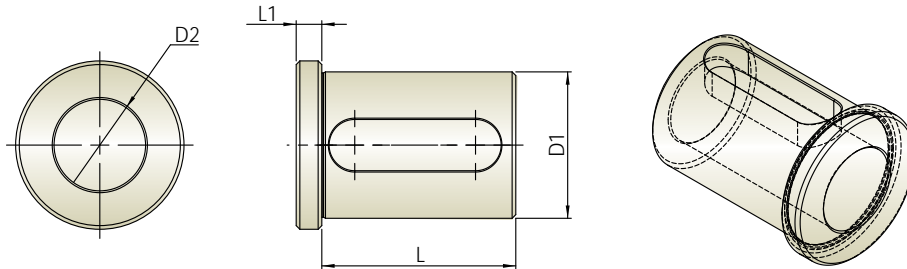


Order No.	Model No.	D1	D2	L	L1
712-0702001	THV-AS07-32.06	32	6	73	12
712-0702002	THV-AS07-32.08	32	8	73	12
712-0702003	THV-AS07-32.10	32	10	85	15
712-0702004	THV-AS07-32.12	32	12	85	15
712-0702005	THV-AS07-32.16	32	16	85	15
712-0703015	THV-AS07-40.06	40	6	85	15
712-0703001	THV-AS07-40.08	40	8	85	15
712-0703002	THV-AS07-40.10	40	10	85	15
712-0703003	THV-AS07-40.12	40	12	85	15
712-0703004	THV-AS07-40.16	40	16	85	15
712-0704001	THV-AS07-50.06	50	6	85	15
712-0704002	THV-AS07-50.08	50	8	85	15
712-0704003	THV-AS07-50.10	50	10	85	15
712-0704004	THV-AS07-50.12	50	12	85	15
712-0704005	THV-AS07-50.16	50	16	85	15
712-0704006	THV-AS07-50.20	50	20	85	15
712-0704007	THV-AS07-50.25	50	25	85	15
712-0704010	THV-AS07-50.08L	50	8	100	15
712-0704011	THV-AS07-50.10L	50	10	100	15
712-0704012	THV-AS07-50.12L	50	12	100	15
712-0704013	THV-AS07-50.16L	50	16	100	15
712-0704014	THV-AS07-50.20L	50	20	100	15
712-0704015	THV-AS07-50.25L	50	25	100	15
712-0704016	THV-AS07-50.32L	50	32	100	15
712-0705015	THV-AS07-60.04	60	4	105	15
712-0705016	THV-AS07-60.08	60	8	110	10
712-0705017	THV-AS07-60.10	60	10	110	10
712-0705001	THV-AS07-60.12	60	12	110	10
712-0705002	THV-AS07-60.16	60	16	110	10
712-0705003	THV-AS07-60.20	60	20	110	10
712-0705004	THV-AS07-60.25	60	25	110	10
712-0705005	THV-AS07-60.32	60	32	110	10
712-0705006	THV-AS07-60.40	60	40	110	10

Unit : mm



## THV-AS07 Adaptor Sleeve 刀套

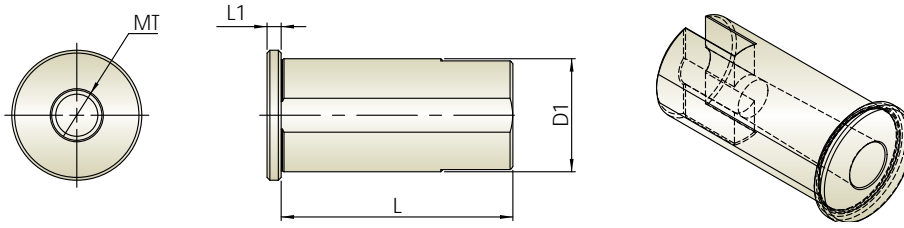


Order No.	Model No.	D1	D2	L	L1
712-0702006	THV-AS07-32.20	32	20	85	15
712-0702007	THV-AS07-32.25	32	25	85	15
712-0703006	THV-AS07-40.20	40	20	85	15
712-0703007	THV-AS07-40.25	40	25	85	15
712-0703008	THV-AS07-40.32	40	32	85	15
712-0704008	THV-AS07-50.32	50	32	85	15
712-0704009	THV-AS07-50.40	50	40	85	15
712-0704017	THV-AS07-50.40L	50	40	100	15
712-0705007	THV-AS07-60.50	60	50	110	10

Unit : mm



## THV-AS08 Adaptor Sleeve 刀套

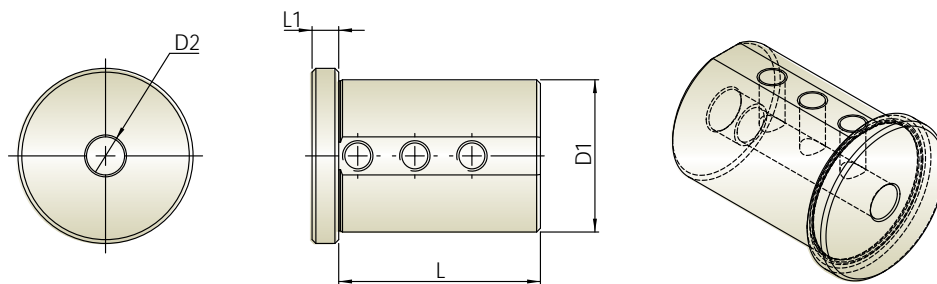


Order No.	Model No.	D1	D2	L	L1
712-0801001	THV-AS08-25.MT1	25	MT1	60	15
712-0801002	THV-AS08-25.MT2	25	MT2	60	15
712-0801003	THV-AS08-25.MT3	25	MT3	60	30
712-0802001	THV-AS08-32.MT1	32	MT1	65	10
712-0802002	THV-AS08-32.MT2	32	MT2	65	10
712-0802003	THV-AS08-32.MT3	32	MT3	75	25
712-0803001	THV-AS08-40.MT1	40	MT1	82	5
712-0803002	THV-AS08-40.MT2	40	MT2	82	5
712-0803003	THV-AS08-40.MT3	40	MT3	82	5
712-0803004	THV-AS08-40.MT4	40	MT4	86	30
712-0804001	THV-AS08-50.MT1	50	MT1	100	20
712-0804002	THV-AS08-50.MT2	50	MT2	100	20
712-0804003	THV-AS08-50.MT3	50	MT3	100	20
712-0804004	THV-AS08-50.MT4	50	MT4	100	20

Unit : mm

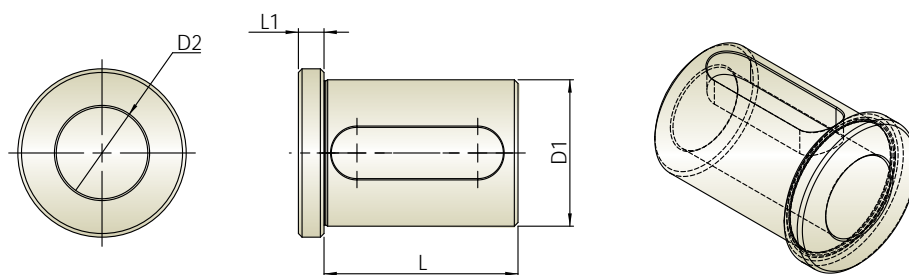


## THV-AS12 Adaptor Sleeve 刀套



Order No.	Model No.	D1	D2	L	L1
712-1202001	THV-AS12-32.06	32	6	75	6
712-1202002	THV-AS12-32.08	32	8	75	6
712-1202003	THV-AS12-32.10	32	10	75	6
712-1202004	THV-AS12-32.12	32	12	75	6
712-1203001	THV-AS12-40.08	40	8	74	6
712-1203002	THV-AS12-40.10	40	10	74	6
712-1203003	THV-AS12-40.12	40	12	74	6
712-1203004	THV-AS12-40.16	40	16	74	6
712-1204001	THV-AS12-50.08	50	8	84	6
712-1204002	THV-AS12-50.10	50	10	84	6
712-1204003	THV-AS12-50.12	50	12	84	6
712-1204004	THV-AS12-50.16	50	16	84	6
712-1204005	THV-AS12-50.20	50	20	84	6

Unit : mm



Order No.	Model No.	D1	D2	L	L1
712-1202005	THV-AS12-32.16	32	16	75	6
712-1202006	THV-AS12-32.20	32	20	75	6
712-1202007	THV-AS12-32.25	32	25	75	6
712-1203005	THV-AS12-40.20	40	20	74	6
712-1203006	THV-AS12-40.25	40	25	74	6
712-1203007	THV-AS12-40.32	40	32	74	6
712-1204006	THV-AS12-50.25	50	25	84	6
712-1204007	THV-AS12-50.32	50	32	84	6
712-1204008	THV-AS12-50.40	50	40	84	6

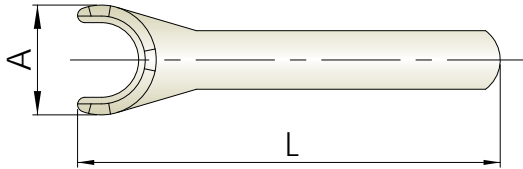
Unit : mm





## OPTIONAL ACCESSORY 選購配件

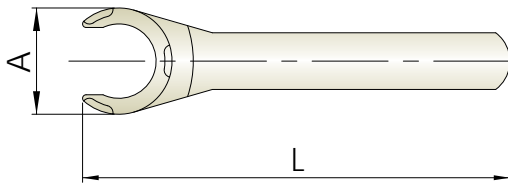
### • Wrench for nut type AZ • AZ 扳手



Unit : mm

Type	Order No.	ØA	B	C	L
ER16	1WR-00102	21	10	12	142
ER25	1WR-00118	30	10	12	167
ER32	1WR-00114	37	10	12	215

### • Wrench for nut type Zeta • Zeta 扳手

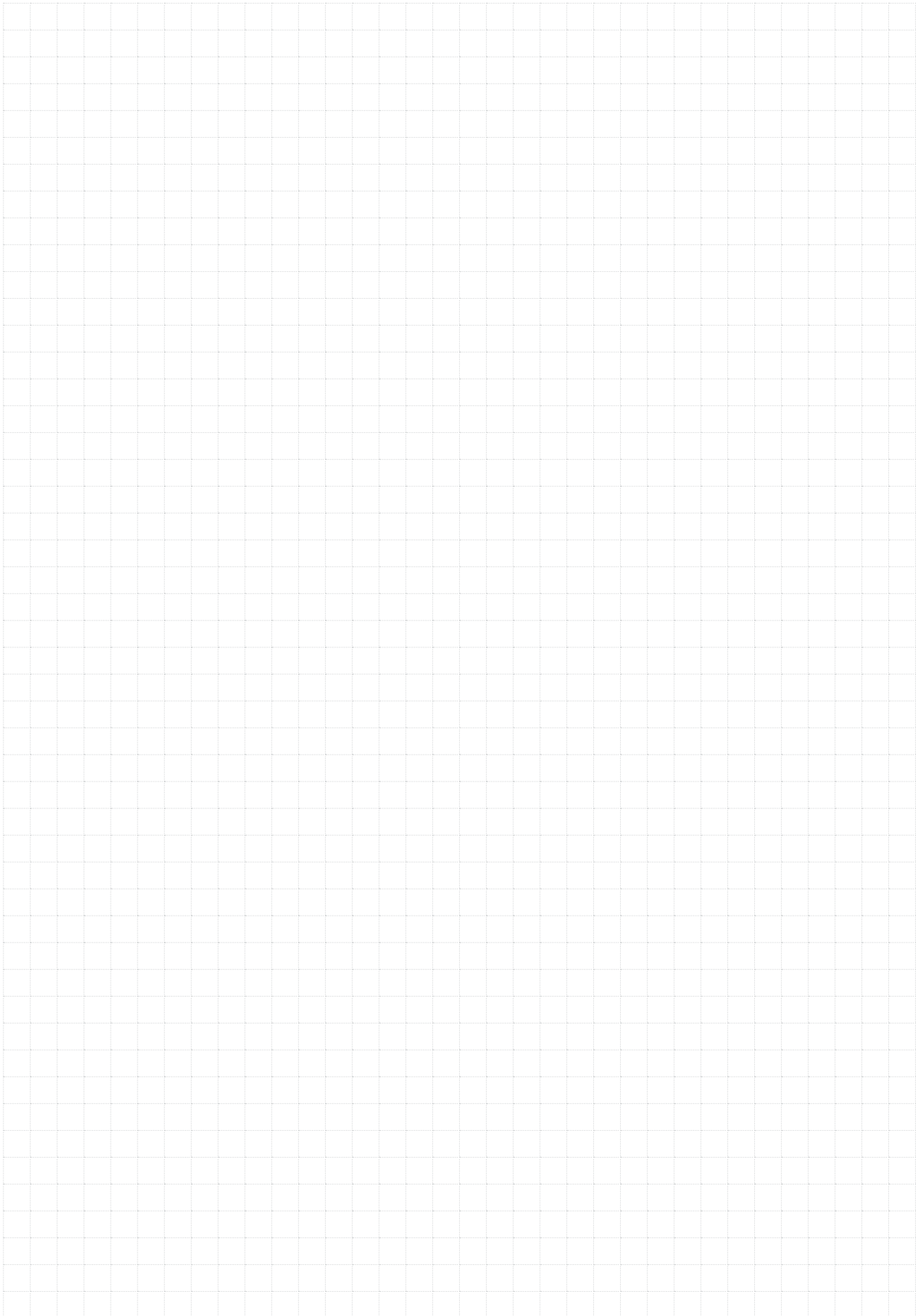


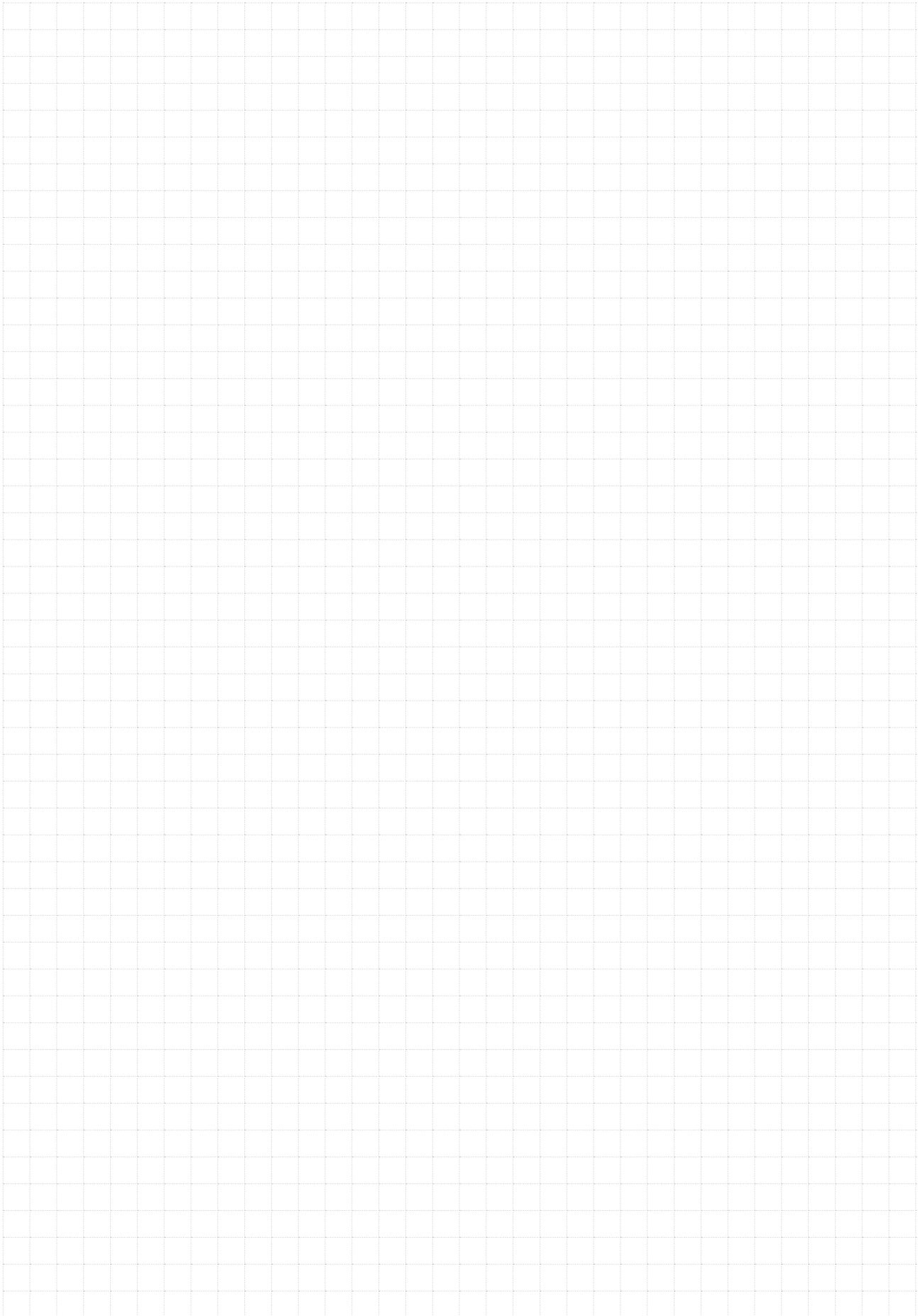
Unit : mm

Type	Order No.	ØA	B	C	L
ER16	1WR-00110	21	9.5	11.5	146
ER25	1WR-00109	30	9.5	11.5	175
ER32	1WR-00148	37	9.5	11.5	220
ER40	1WR-00137	47	9.5	11.5	245

※ 本公司保有變動規格與顏色的權益，請聯絡當地代理或業務人員已獲得最新資訊。

※ All specification are subject to change without further notice. Please consult your local dealer or agent for latest information.







豪力輝工業股份有限公司  
HOLD WELL INDUSTRIAL CO., LTD.  
台中市大雅區雅環路2段120巷10弄31號  
31, Aly. 10, Ln. 120, Sec. 2, Yahuan Rd., DaYa Dist.,  
Taichung City 42869, Taiwan (R.O.C.)  
[www.holdwell.com](http://www.holdwell.com)  
[sales@mail.holdwell.com](mailto:sales@mail.holdwell.com)

